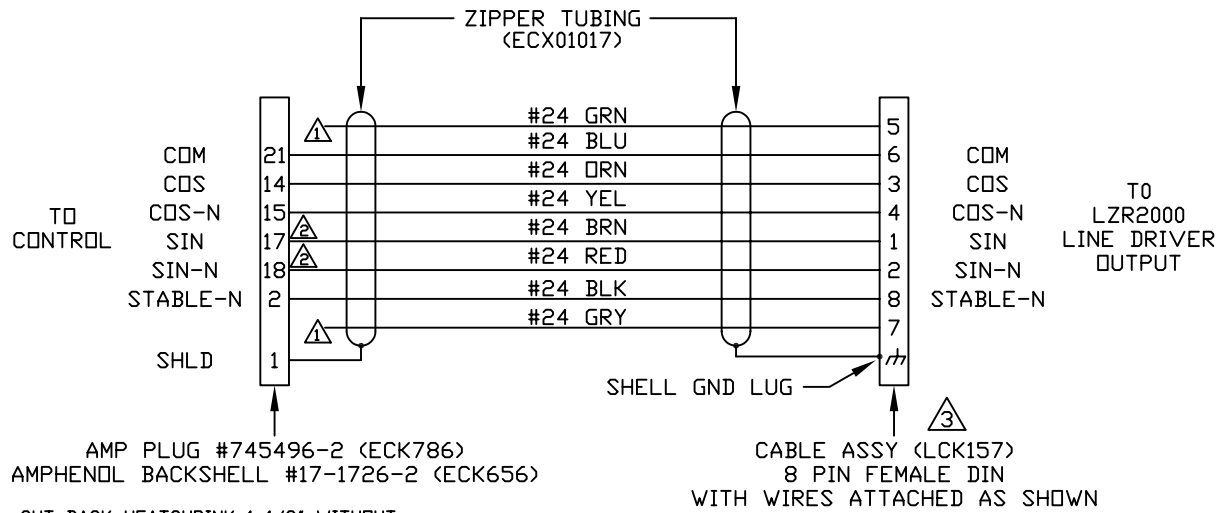


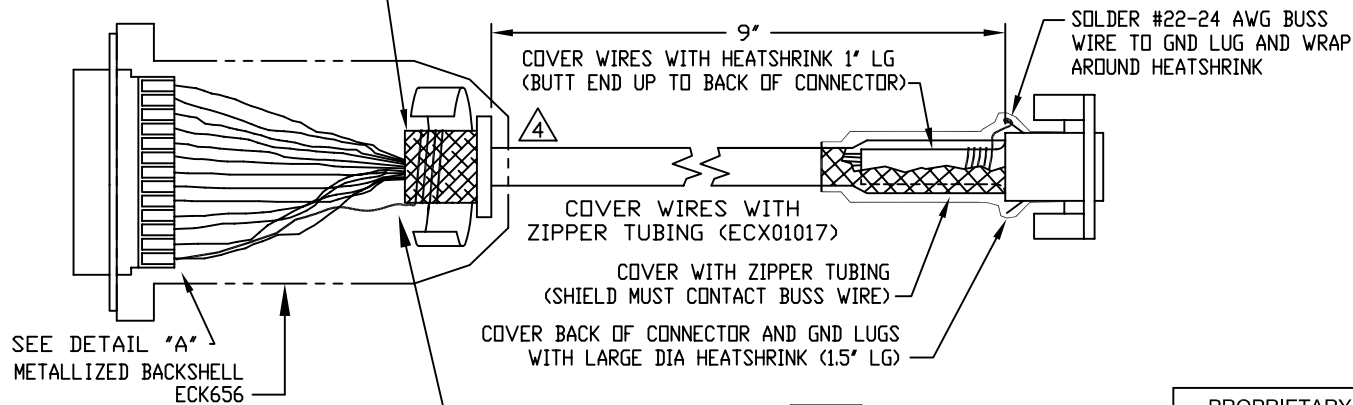
REVISIONS				
REV.	ZONE	DESCRIPTION	DATE	DRAWN
A		ADDED ECN4823	05/00	DJS
B		ADDED ECN5372	01/01	EJB



AMP PLUG #745496-2 (ECK786)
 AMPHENDL BACKSHELL #17-1726-2 (ECK656)

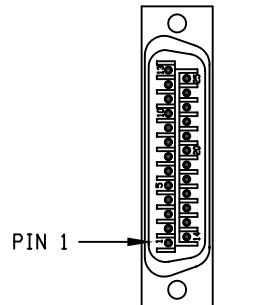
CABLE ASSY (LCK157)
 8 PIN FEMALE DIN
 WITH WIRES ATTACHED AS SHOWN

CUT BACK HEATSHRINK 1-1/2' WITHOUT
 CUTTING ZIPPER-TUBE SHIELD.
 FOLD ZIPPER-TUBE SHIELD BACK OVER GROMMET
 TRIM SHIELD AT GROMMET SHOULDER



SEE DETAIL "A"
 METALLIZED BACKSHELL
 ECK656

WRAP #22 GRN/YEL WIRE (FROM PIN 1)
 AROUND ZIP-TUBE SHIELD.
 WRAP 4" COPPER FOIL TAPE (EIA281)
 OVER GROMMET, SHIELD & GRN/YEL WIRE



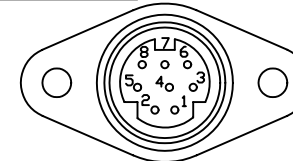
DETAIL "A"
 AMP SOCKET #745495-2 (ECK789)
 VIEWED FROM WIRE SIDE OF CONNECTOR

△ USE #4 GROMMET WITH 4 DOTS AS SHOWN.
 (SUPPLIED W/BACKSHELL)



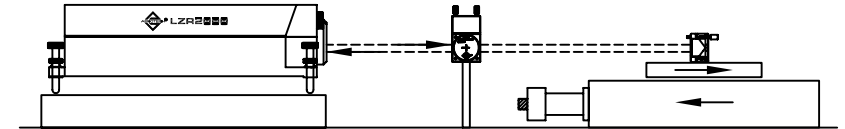
NOTES:

△3 CONNECTOR DEFINITION



FRONT VIEW

△2 DIRECTION DEFINITION



CABLE IS APPLICABLE
 WHEN CW OR PLUS DIRECTION PRODUCES
 TABLE TOP MOTION AS SHOWN ABOVE.
 IF OPPOSITE MOTION IS PRODUCED,
 "SIN" & "SIN-N" WIRES MUST BE SWAPPED.

△1 CUT OFF GRN & GRY WIRES, INSULATE ENDS & TIE BACK.

PROPRIETARY INFORMATION
 THIS DRAWING IS THE PROPERTY
 OF AEROTECH, INC. AND IS
 SUBMITTED IN CONFIDENCE AND
 SHALL NOT BE REPRODUCED NOR
 COPIED NOR DISCLOSED TO OTHERS
 UNDER PENALTY OF LAW.



® AEROTECH, INC. 101 Zeta Drive
 Pittsburgh, PA. 15238
 (412)963-7470 TWX710-795-3125

TOLERANCES ON
 FRACTIONS DECIMALS ANGLES
 0 TO 6 ± 1/32 .XX ± .01 ± 0-30'
 OVER 6 ± 1/16 .XXX ± .005

RMS FINISH EXCEPT AS NOTED

DRAWN	NTC	11/97
CHECKED	WG	01/98
APPD.	WG	01/98

PART CODE
 LZR-MX
 CABLE

SIZE
 B

LZR2000 TO MX
 ADAPTER CABLE

630B1713

REV.
 B

SCALE NTS FILE NAME 630B1713B1.dwg SHEET 1 OF 1