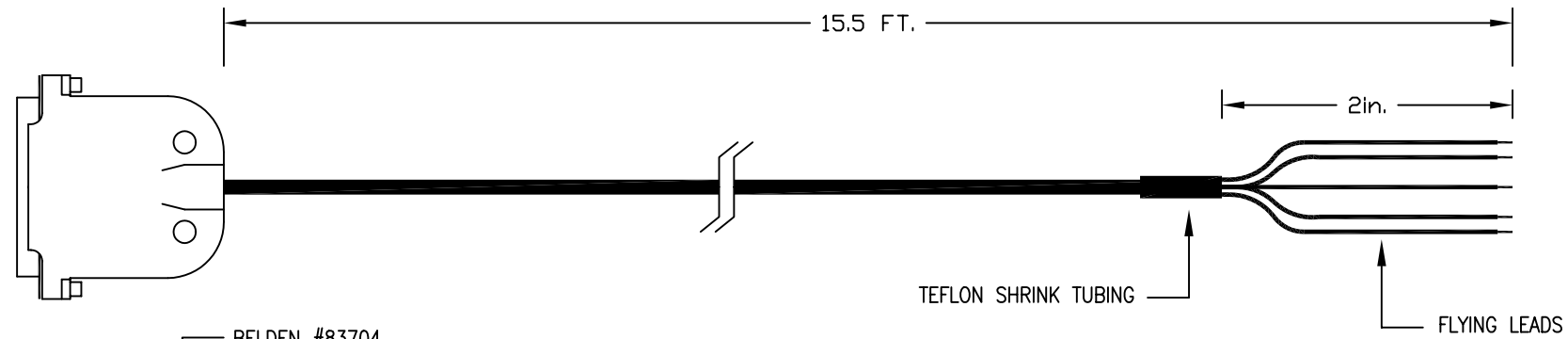


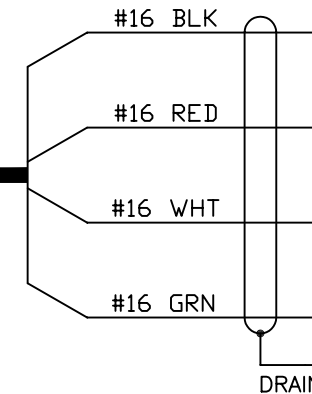
REVISIONS				
SYM.	ZONE	DESCRIPTION	DATE	APPROVAL



BELDEN #83704
(4 COND. #16 SHIELDED TEFLON) ECX01011

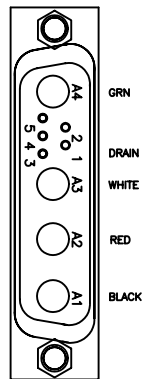
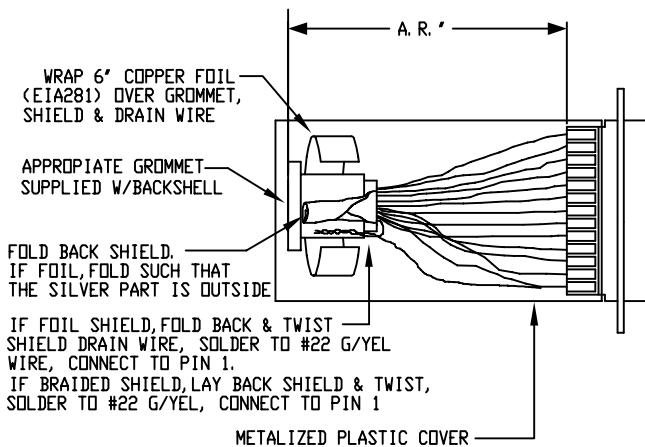
PIN	WIRE	SIGNAL
A1	BLK	MTR ØA
A2	RED	MTR ØB
A3	WHT	MTR ØC
A4	GRN	FRM GND
1	DRAIN	MTR SHLD
TO BACKSHELL	FOIL	MTR SHLD

EFO01007
MOTOR CABLE ASSY.



SEE DETAIL "A"
HIGH POWER MALE "D", DBMM9WUP, ECK00658
PIN CONTACTS, DMS3745-7, ECK00660
BACKSHELL, 17-1726-2, ECK00656
JACKSOCKET, 207719-3, ECK00129

SHIELD TERMINATION WITH METALIZED PLASTIC COVERS
WITH PIN 1 & SHIELD TIED TOGETHER.



DETAIL "A"
HIGH POWER "D" MALE (ECK00658)
MOTOR

MACHINING TOLERANCE
MANUAL MM-1000 APPLIES
UNLESS OTHERWISE SPECIFIED

TOLERANCES ON		
FRACTIONS	DECIMALS	ANGLES
0 TO 6+0R- 1/32	.XX +0R- .01	+0R- 0-30'
OVER 6+0R- 1/16	.XXX +0R- .005	

RMS FINISH EXCEPT AS NOTED

DRAWN JAB 1/25/01

CHECKED AGS 1/25/01

DESIGN

ENGRG

PROD

Q. A.

APPD AGS 1/25/01



® AEROTECH, INC. 101 Zeta Drive
Pittsburgh, PA. 15238
(412)963-7470 TWX710-795-3125

VAC6 BRUSHLESS MOTOR
FRAME SIZE 23/34/42
MOTOR PHASE CABLE

CODE IDENT. NO.	SIZE	REV.
EFO01007	B 630B1715-3	-
SCALE NTS	FILE NAME: 630B171503	SHEET 1