

REVISIONS				
REV.	ZONE	DESCRIPTION	DATE	DRAWN
A		ADDED ECN2995	10/17/97	NTC

CONNECTOR 25 PIN D MALE AMP #745496-2 (ECK786)
BACKSHELL #17-1726-2 (ECK656)

PIN	WIRE	SIGNAL
13	RED/YEL	BRK-/CW LMT Δ
12	WHT/BLU	CW/+ LMT
11	-	-
10	-	-
9	-	-
8	-	-
7	WHT/GRY	MKR
6	WHT/BRN	MKR-N
5	-	-
4	-	-
3	#22 YEL	ENC +5V
2	-	-
1	SHIELD	SIG SHLD

PIN	WIRE	SIGNAL	BIPOLAR	UNIPOLAR
14	-	-	-	-
13	-	-	-	-
12	-	-	-	-
11	-	-	-	-
10	-	-	-	-
9	-	-	-	-
8	SHIELD	MTR SHLD	MTR SHLD	
7	#16 RED	MTR A-N	MTR A'	
6	#16 BLU	-	MTR B'	
5	#16 ORN	-	MTR A	
4	#16 GRN	MTR B	MTR B	
3	#16 WHT	MTR B-N	MTR BCT	
2	#16 BLK	MTR A	MTR ACT	
1	#16 YEL	FRM GND	FRM GND	

682A1023 (ECX413)
#24 AWG UNLESS OTHERWISE NOTED

SIGNAL	WIRE	PIN	
SIN-N	WHT/GRN	H	
Δ CCW LMT/BRK+	WHT/BLK/BRN	J	
SIN	WHT/YEL	G	
Δ HOME LMT	RED/GRN	K	
HM LMT	RED/BLK	W	
CCW/- LMT	WHT/VIO	V	
CW/+LMT	WHT/BLU	U	
COS-N	WHT/ORN	F	
MKR	WHT/GRY	L	
MKR-N	WHT/BRN	X	
SIG SHLD	SHIELD	Z	
Δ CW LMT/BRK-	RED/YEL	T	
COS	WHT/RED	E	
ENC +5V	#22 YEL	M(1/2)	
LMT +5V	#22 PINK	M(2/2)	
MTR SHLD	MTR SHLD	SHIELD	Y
MTR A	MTR ACT	#16 BLK	R *
FRM GND	FRM GND	#16 YEL	S *
LMT COM	#22 BRN	D(1/2)	
ENC COM	#22 WHT/BLK	D(2/2)	
MTR B	MTR B	#16 GRN	N *
-	MTR B'	#16 BLU	P *
MTR B-N	MTR BCT	#16 WHT	A *
-	MTR A	#16 ORN	B *
MTR A-N	MTR A'	#16 RED	C *

BURNDY PLUG #UTG618-23SN (ECK135)
CLAMP BURNDY #UTG18AC (ECK617)

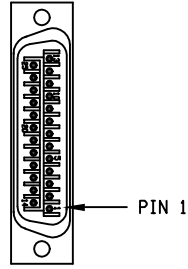
#28-22 SOCKETS BURNDY #SC24M-1TK6 (ECK402)
CRIMP TOOL: BURNDY HANDLE W/HEAD ASSY N20RT-29
OR BURNDY CRIMPER MODEL UTM-2R W/HEAD ASSY CM11G1R

* #20-16 SOCKETS BURNDY #SC16M-1TK6 (ECK403)
CRIMP TOOL: BURNDY HANDLE W/HEAD ASSY N16RT-24

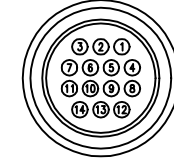
UNUSED WIRES:
#24 TAN,VIO,GRY,RED/WHT/BLK

MOTOR BUNDLE
OF 682A1023

FOR CRIMP TOOL USE AMP HANDLE ASSY 58074-1
WITH AMP HEAD ASSY 58063-2



DETAIL "A"
AMP PLUG 745496-2 (ECK786)
VIEWED FROM WIRE SIDE OF CONNECTOR



DETAIL "B"
AMP PLUG 206044-1 (ECK131)
VIEWED FROM WIRE SIDE OF CONNECTOR



DETAIL "C"
BURNDY PLUG UTG618-23SN (ECK135)
VIEWED FROM WIRE SIDE OF CONNECTOR



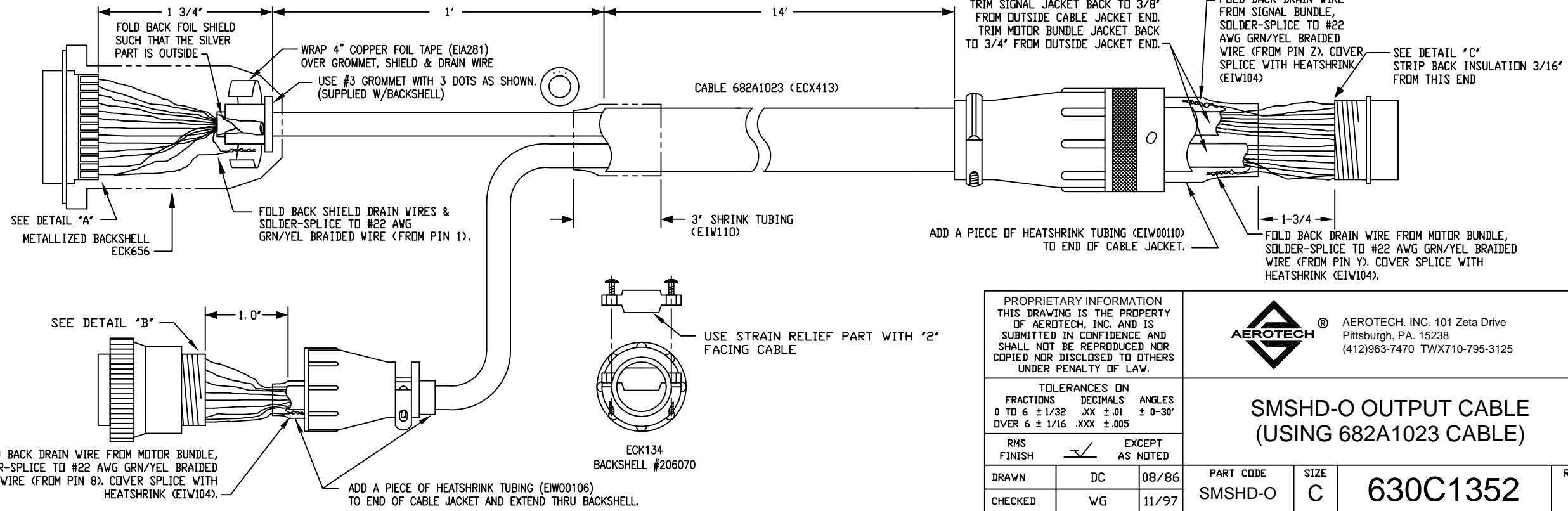
ACTIVE HIGH SIGNALS FOR USE WITH PREVIOUS GENERATION
AEROTECH CONTROLLERS (UNIDEX, UNIDEX 2, UNIDEX 3,
UNIDEX 11, UNIDEX 12, UNIDEX 16)



STARTING CABLE LENGTH = 15 FT 5 IN

FOR CRIMP TOOL USE AMP HANDLE ASSY 90277-1
OR USE AMP CRIMPER MODEL #565435-5
WITH AMP HEAD ASSY 66098

AMP PLUG #206044-1 (ECK131)
BACKSHELL #206070-1 (ECK134)
#16-18 PINS #66098-7 (EIK194) QTY 8



PROPRIETARY INFORMATION
THIS DRAWING IS THE PROPERTY
OF AEROTECH, INC. AND IS
SUBMITTED IN CONFIDENCE AND
SHALL NOT BE REPRODUCED NOR
COPIED NOR DISCLOSED TO OTHERS
UNDER PENALTY OF LAW.

AEROTECH® AEROTECH, INC. 101 Zeta Drive
Pittsburgh, PA. 15238
(412)963-7470 TWX710-795-3125

TOLERANCES ON		
FRACTIONS	DECIMALS	ANGLES
0 TO 6 ± 1/32	.XX ± .01	± 0-30'
OVER 6 ± 1/16	.XXX ± .005	

RMS FINISH	EXCEPT AS NOTED
<input checked="" type="checkbox"/>	

DRAWN	DC	08/86
CHECKED	WG	11/97
APPD.	WG	11/97

**SMSHD-O OUTPUT CABLE
(USING 682A1023 CABLE)**

PART CODE	SIZE	REV.
SMSHD-O	C	A
SCALE FULL	FILE NAME 630C1352A1.dwg	SHEET 1 OF 1