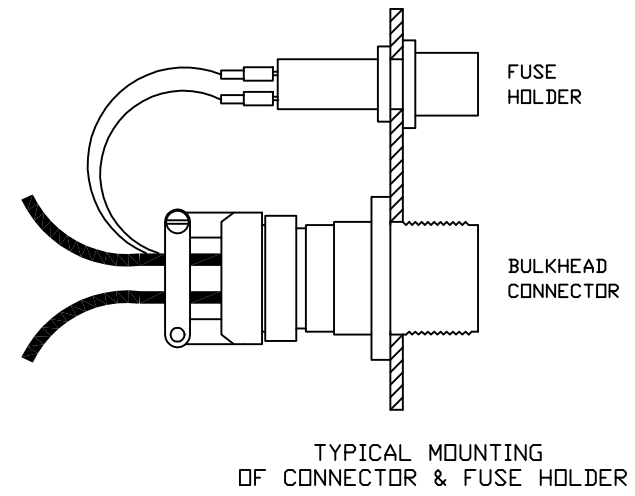
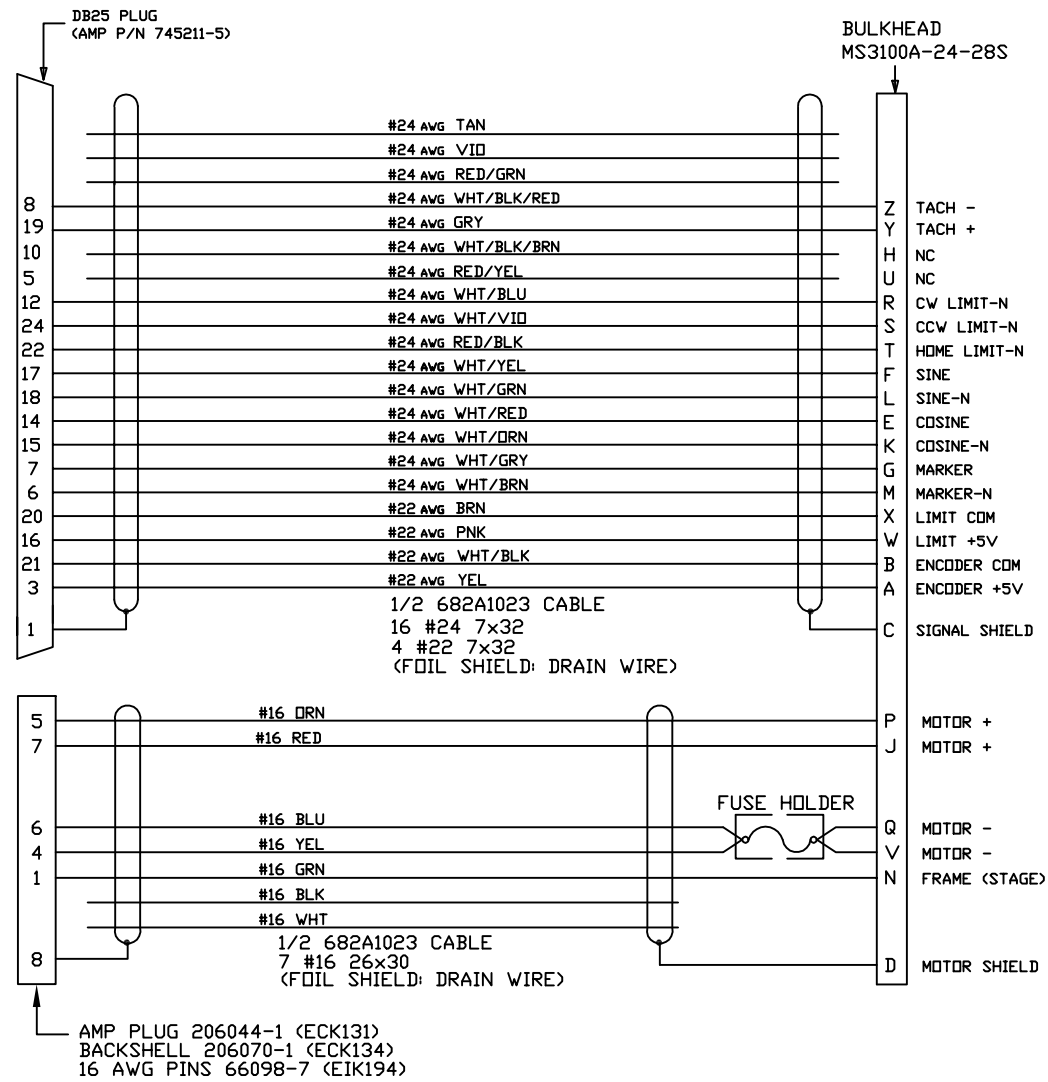
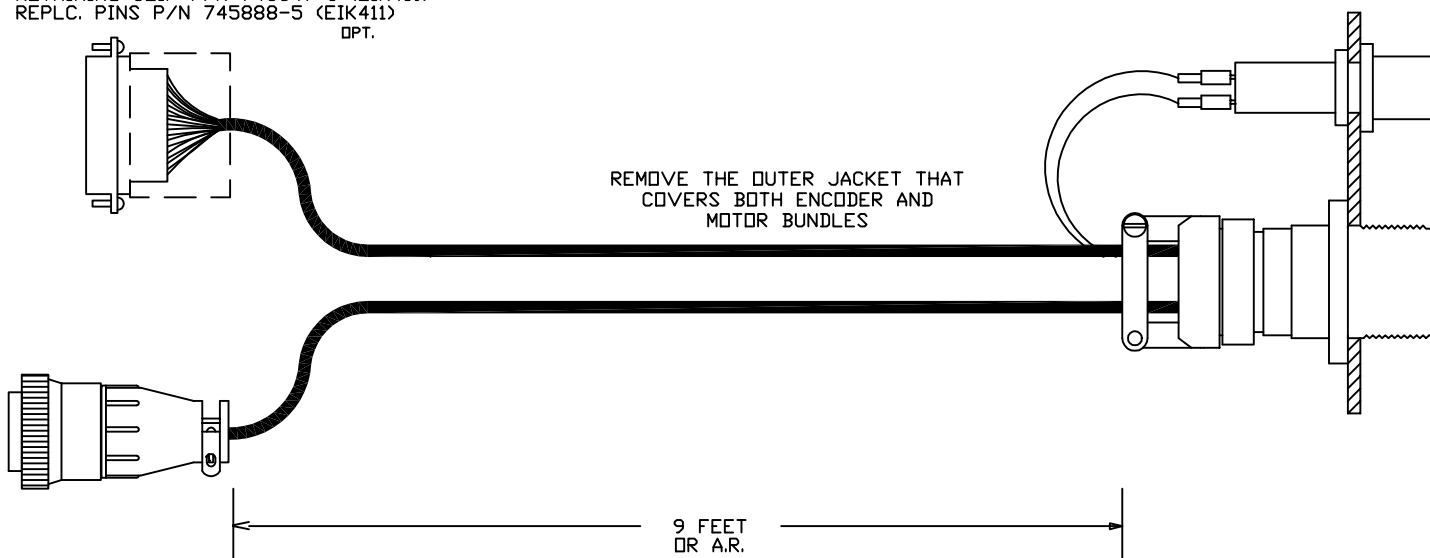



REVISIONS				
SYM.	ZONE	DESCRIPTION	DATE	APPROVAL



AMP PLUG P/N 745211-5 (ECK383)
BACKSHELL P/N 745560-1 (ECK384)
RETAINING CLIP P/N 745647-1 (EIK410)
REPLC. PINS P/N 745888-5 (EIK411)
DPT.



ITEM NO	PART OR IDENTIFYING NO	DESCRIPTION	SPEC	MATERIAL OR NOTE	QTY REQD
LIST OF MATERIAL					
MACHINING TOLERANCE MANUAL MM-1000 APPLIES UNLESS OTHERWISE SPECIFIED		 AEROTECH, INC. 101 Zeta Drive Pittsburgh, PA. 15238 (412)963-7470 TWX710-795-3125			
TOLERANCES ON FRACTIONS DECIMALS ANGLES 0 TO 6+DR- 1/32 .XX +DR- .01 +DR- 0-30' OVER 6+DR-1/16 .XXX +DR-.005					
RMS FINISH	✓	EXCEPT AS NOTED	EMW ENCODER MOTOR WIRING (WITH AMP CONNECTOR)		
DRAWN	EJB	10/94			
CHECKED	JAB	8/24/95			
DESIGN					
ENGRG					
PRDD					
Q. A.			CODE IDENT. NO.	SIZE	REV.
APPD	JAB	8/24/95		C	
SCALE-FULL			WT.	630C1457-5	
					SHEET 1 OF 1