

REVISIONS				
REV.	ZONE	DESCRIPTION	DATE	DRAWN
A		CHANGED WIRING TO PHOENIX CONNECTOR TO PERMIT USE WITH 310SM	9/93	WG
B		ADDED ECN3015	11/12/97	NTC

CONNECTOR 25 PIN D MALE AMP #745496-2 (ECK786)  
BACKSHELL #17-1726-2 (ECK656)  
682A1021 (ECX505)  
#24 AWG UNLESS OTHERWISE NOTED

PIN	WIRE	SIGNAL
13	ORN	CW LMT $\Delta$
12	WHT	CW/+ LMT
11	-	-
10	-	-
9	-	-
8	-	-
7	BRN	MKR
6	BLK	MKR-N
5	-	-
4	-	-
3	#22 WHT/BRN	ENC +5V
2	-	-
1	SHIELD	SIG SHLD

PIN	WIRE	SIGNAL
14	WHT/RED	COS
15	VIO	COS-N
16	#22 WHT/BLU	LMT +5V
17	GRN	SIN
18	RED	SIN-N
19	-	-
20	#22 WHT/GRN	LMT COM
21	#22 WHT/YEL	ENC COM
22	PINK	HM LMT
23	YEL	HOME LMT $\Delta$
24	GRY	CCW/- LMT $\Delta$
25	BLU	CCW LMT $\Delta$

PIN	WIRE	SIGNAL
1(1/2)	SHIELD	MTR SHLD
1(2/2)	#20 GRN	FRM GND
2	#20 RED	MTR A-N
3	#20 BRN	MTR A
4	#20 WHT	MTR B-N
5	#20 YEL	MTR B

682A1021 (ECX505)  
#24 AWG UNLESS OTHERWISE NOTED

SIGNAL	WIRE	PIN
SIN-N	RED	H
CCW LMT	BLU	J
SIN	GRN	G
HOME LMT $\Delta$	YEL	K
HM LMT	PINK	W
CCW/- LMT	GRY	V
CW/+LMT	WHT	U
COS-N	VIO	F
MKR	BRN	L
MKR-N	BLK	X
SIG SHLD	SHIELD	Z
CW LMT $\Delta$	ORN	T
COS	WHT/RED	E
ENC +5V	#22 WHT/BRN	M(1/2)
LMT +5V	#22 WHT/BLU	M(2/2)
MTR SHLD	SHIELD	Y
MTR A	#20 BRN	R *
FRM GND	#20 GRN	S *
LMT COM	#22 WHT/GRN	D(1/2)
ENC COM	#22 WHT/YEL	D(2/2)
MTR B	#20 YEL	N *
-	-	P *
MTR B-N	#20 WHT	A *
-	-	B *
MTR A-N	#20 RED	C *

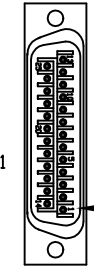
BURNDY PLUG #UTG618-23SN (ECK135)  
CLAMP BURNDY #UTG18AC (ECK617)  
#28-22 SOCKETS BURNDY #SC24M-1TK6 (ECK402)  
CRIMP TOOL: BURNDY HANDLE W/HEAD ASSY N20RT-29  
OR BURNDY CRIMPER MODEL UTM-2R W/HEAD ASSY CM11G1R  
\* #20-16 SOCKETS BURNDY #SC16M-1TK6 (ECK403)  
CRIMP TOOL: BURNDY HANDLE W/HEAD ASSY N16RT-24



ACTIVE HIGH SIGNALS FOR USE WITH PREVIOUS GENERATION AEROTECH CONTROLLERS (UNIDEX, UNIDEX 2, UNIDEX 3, UNIDEX 11, UNIDEX 12, UNIDEX 16)



STARTING CABLE LENGTH = 15 FT 5 IN



DETAIL "A"  
AMP PLUG 745496-2 (ECK786)  
VIEWED FROM WIRE SIDE OF CONNECTOR

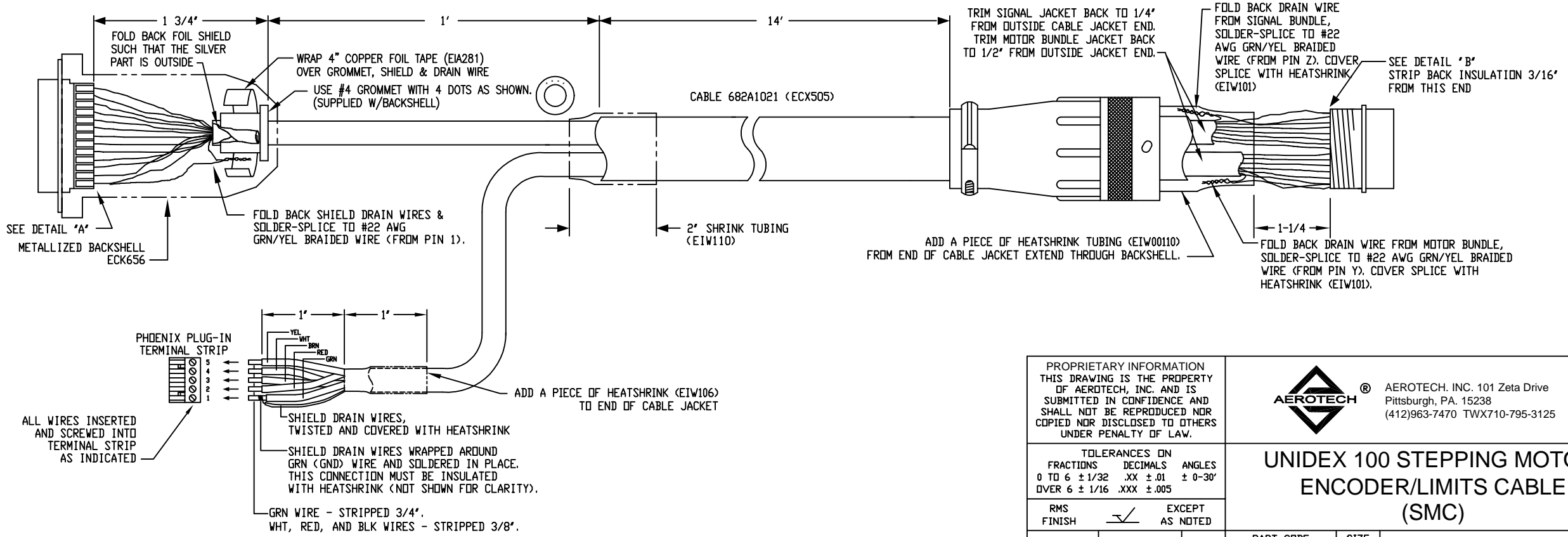


DETAIL "B"  
BURNDY PLUG UTG618-23SN (ECK135)  
VIEWED FROM WIRE SIDE OF CONNECTOR

FOR CRIMP TOOL USE AMP HANDLE ASSY 58074-1  
WITH AMP HEAD ASSY 58063-2

UNUSED WIRES: #20 BLU, ORN

PHOENIX CONTACT - 5 PIN PLUG-IN  
TERMINAL STRIP 1754504 (ECK212)



PROPRIETARY INFORMATION  
THIS DRAWING IS THE PROPERTY  
OF AEROTECH, INC. AND IS  
SUBMITTED IN CONFIDENCE AND  
SHALL NOT BE REPRODUCED NOR  
COPIED NOR DISCLOSED TO OTHERS  
UNDER PENALTY OF LAW.



AEROTECH, INC. 101 Zeta Drive  
Pittsburgh, PA. 15238  
(412)963-7470 TWX710-795-3125

TOLERANCES ON		
FRACTIONS	DECIMALS	ANGLES
0 TO 6 ± 1/32	.XX ± .01	± 0-30'
OVER 6 ± 1/16	.XXX ± .005	

RMS FINISH	EXCEPT AS NOTED
<input checked="" type="checkbox"/>	

DRAWN	WG	03/93
CHECKED	AGS	12/97
APPD.	AGS	12/97

**UNIDEX 100 STEPPING MOTOR/  
ENCODER/LIMITS CABLE  
(SMC)**

PART CODE	SIZE	REV.
SMC	C	B

630C1514-1

SCALE NTS	FILE NAME 630C1514-1B1.dwg	SHEET 1 OF 1
-----------	----------------------------	--------------