

REVISIONS				
REV.	ZONE	DESCRIPTION	DATE	DRAWN
A		CHANGED WIRING TO PHENIX CONNECTOR TO PERMIT USE WITH 310SM	9/93	WG
B		ADDED ECN3015	11/12/97	NTC

CONNECTOR 25 PIN D MALE AMP #745496-2 (ECK786)
BACKSHELL #17-1726-2 (ECK656)

682A1023 (ECX413)
#24 AWG UNLESS OTHERWISE NOTED

PIN	WIRE	SIGNAL
13	RED/YEL	CW LMT Δ
12	WHT/BLU	CW/+ LMT
11	-	-
10	-	-
9	-	-
8	-	-
7	WHT/GRY	MKR
6	WHT/BRN	MKR-N
5	-	-
4	-	-
3	#22 YEL	ENC +5V
2	-	-
1	SHIELD	SIG SHLD
14	WHT/RED	COS
15	WHT/ORN	COS-N
16	#22 PINK	LMT +5V
17	WHT/YEL	SIN
18	WHT/GRN	SIN-N
19	-	-
20	#22 BRN	LMT COM
21	#22 WHT/BLK	ENC COM
22	RED/BLK	HM LMT
23	RED/GRN	HOME LMT Δ
24	WHT/VIO	CCW/- LMT
25	WHT/BLK/BRN	CCW LMT Δ

PIN	WIRE	SIGNAL
1(1/2)	SHIELD	MTR SHLD
1(2/2)	#16 GRN	FRM GND
2	#16 RED	MTR A-N
3	#16 BLK	MTR A
4	#16 WHT	MTR B-N
5	#16 YEL	MTR B

UNUSED WIRES:
#16 BLU, ORN

682A1023 (ECX413)
#24 AWG UNLESS OTHERWISE NOTED

SIGNAL	WIRE	PIN
SIN-N	WHT/GRN	H
Δ CCW LMT	WHT/BLK/BRN	J
SIN	WHT/YEL	G
Δ HOME LMT	RED/GRN	K
HM LMT	RED/BLK	W
CCW/- LMT	WHT/VIO	V
CW/+LMT	WHT/BLU	U
COS-N	WHT/ORN	F
MKR	WHT/GRY	L
MKR-N	WHT/BRN	X
SIG SHLD	SHIELD	Z
Δ CW LMT	RED/YEL	T
COS	WHT/RED	E
ENC +5V	#22 YEL	M(1/2)
LMT +5V	#22 PINK	M(2/2)
MTR SHLD	SHIELD	Y
MTR A	#16 BLK	R *
FRM GND	#16 GRN	S *
LMT COM	#22 BRN	D(1/2)
ENC COM	#22 WHT/BLK	D(2/2)
MTR B	#16 YEL	N *
-	-	P *
MTR B-N	#16 WHT	A *
-	-	B *
MTR A-N	#16 RED	C *

BURNDY PLUG #UTG618-23SN (ECK135)
CLAMP BURNDY #UTG18AC (ECK617)
#28-22 SOCKETS BURNDY #SC24M-1TK6 (ECK402)
CRIMP TOOL: BURNDY HANDLE W/HEAD ASSY N20RT-29
OR BURNDY CRIMPER MODEL UTM-2R W/HEAD ASSY CM11G1R
* #20-16 SOCKETS BURNDY #SC16M-1TK6 (ECK403)
CRIMP TOOL: BURNDY HANDLE W/HEAD ASSY N16RT-24

FOR CRIMP TOOL USE AMP HANDLE ASSY 58074-1
WITH AMP HEAD ASSY 58063-2



ACTIVE HIGH SIGNALS FOR USE WITH PREVIOUS GENERATION
AEROTECH CONTROLLERS (UNIDEX, UNIDEX 2, UNIDEX 3,
UNIDEX 11, UNIDEX 12, UNIDEX 16)



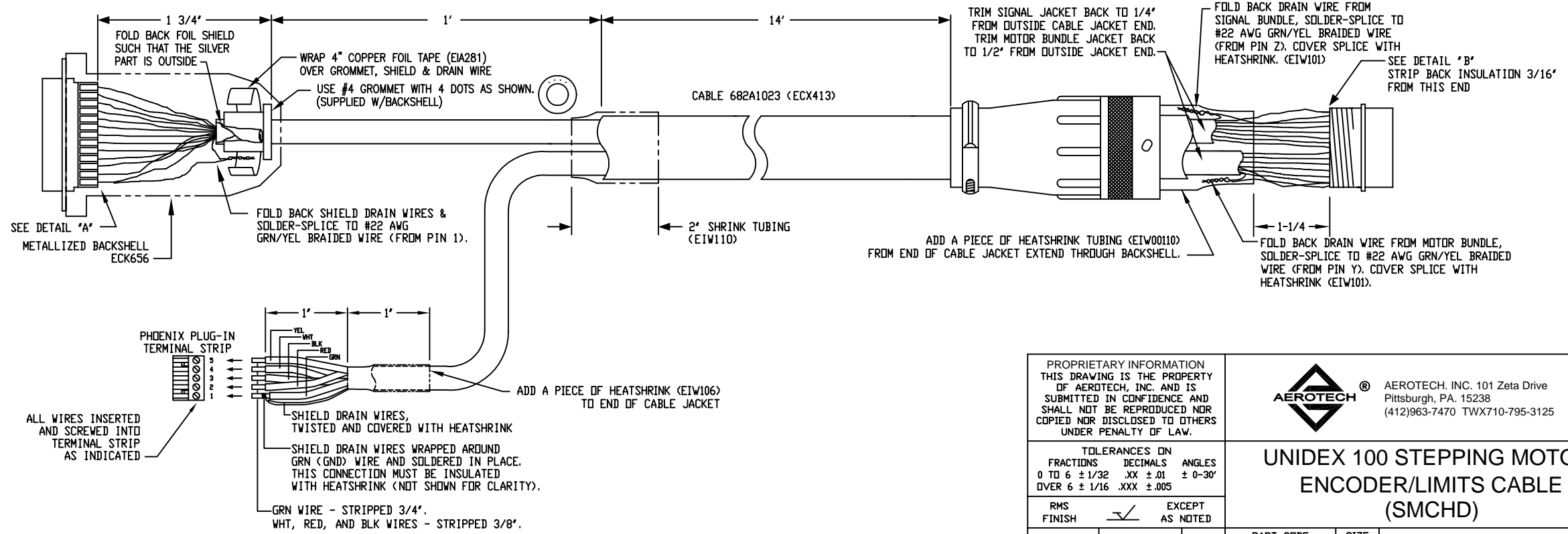
STARTING CABLE LENGTH = 15 FT 5 IN



DETAIL "A"
AMP PLUG 745496-2 (ECK786)
VIEWED FROM WIRE SIDE OF CONNECTOR



DETAIL "B"
BURNDY PLUG UTG618-23SN (ECK135)
VIEWED FROM WIRE SIDE OF CONNECTOR



PROPRIETARY INFORMATION
THIS DRAWING IS THE PROPERTY
OF AEROTECH, INC. AND IS
SUBMITTED IN CONFIDENCE AND
SHALL NOT BE REPRODUCED NOR
COPIED NOR DISCLOSED TO OTHERS
UNDER PENALTY OF LAW.



AEROTECH, INC. 101 Zeta Drive
Pittsburgh, PA. 15238
(412)963-7470 TWX710-795-3125

TOLERANCES ON	DECIMALS	ANGLES
0 TO 6 ± 1/32	.XX ± .01	± 0-30'
OVER 6 ± 1/16	.XXX ± .005	

UNIDEX 100 STEPPING MOTOR/
ENCODER/LIMITS CABLE
(SMCHD)

RMS FINISH	EXCEPT AS NOTED	PART CODE	SIZE	REV.
DRAWN	WG	03/93	C	B
CHECKED	AGS	12/97	630C1514-2	
APPD.	AGS	12/97	SCALE NTS	FILE NAME 630C1514-2B1.dwg
		SHEET	1	OF 1