

REVISIONS				
REV.	ZONE	DESCRIPTION	DATE	DRAWN
A		ADDED ECN1831	4/1/96	EJB
B		ADDED ECN2738	7/7/97	NTC

(STD) PHOENIX CONTACT - 5 PIN PLUG-IN
TERMINAL STRIP 1754504 (ECK212)

CABLE (4 COND. #14), ECX567

ALPHA #5450/4
CONSOLIDATED #1716

PIN	WIRE	WIRE	SIGNAL
1(1/2)	SHIELD	SHIELD	SIG SHLD
1(2/2)	ORN	GRN	FRM GND
2	BRN	WHT	MTR ØC
3	RED	RED	MTR ØB
4	-	-	-
5	BLK	BLK	MTR ØA

STRAIGHT PLUG MS3106A-18 (ECK475)
INSERT MS18-10S (NCM495)
CLAMP 97-3057-1010 (NCM477)
BUSHING AN3055-18-10 (MC481)

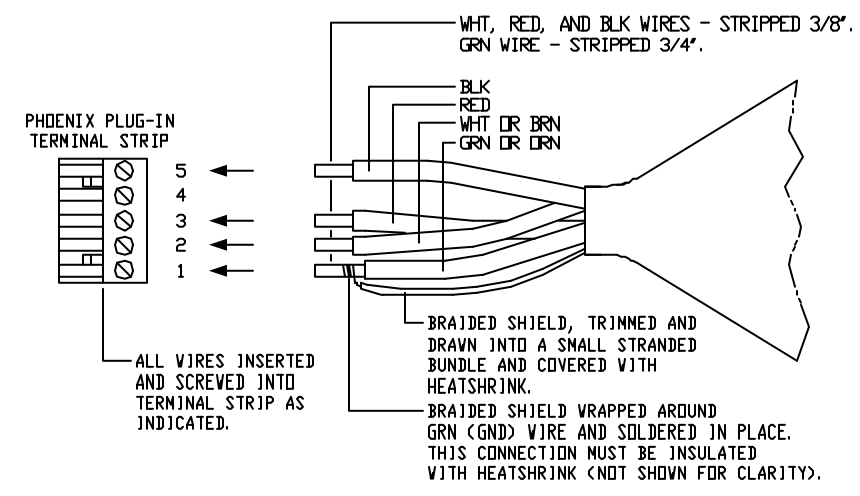
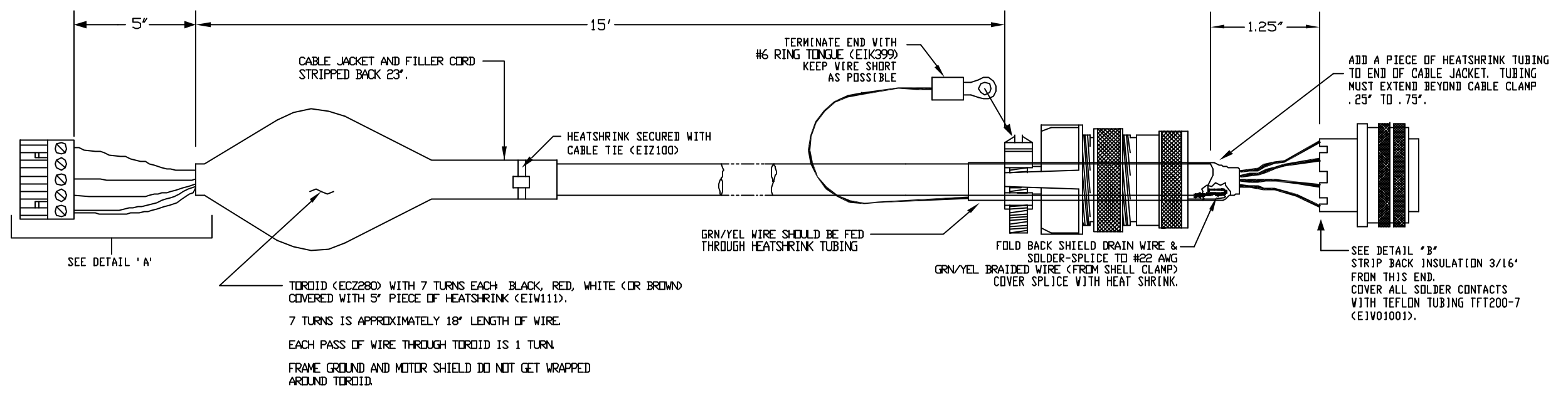
CABLE (4 COND. #14), ECX567

ALPHA #5450/4
CONSOLIDATED #1716

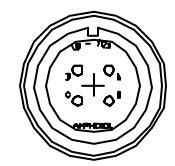
SIGNAL	WIRE	WIRE	SOCKET
MTR Ø C	WHT	BRN	C
MTR Ø B	RED	RED	B
FRM GND	GRN	ORN	D
MTR Ø A	BLK	BLK	A

1

STARTING CABLE LENGTH = 17 FT 5 IN



DETAIL "A"



DETAIL "B"

VIEWED FROM WIRE SIDE OF CONNECTOR
AMPENOL SOCKET INSERT MS18-10S (NCM495)

PROPRIETARY INFORMATION
THIS DRAWING IS THE PROPERTY
OF AEROTECH, INC. AND IS
SUBMITTED IN CONFIDENCE AND
SHALL NOT BE REPRODUCED NOR
COPIED NOR DISCLOSED TO OTHERS
UNDER PENALTY OF LAW.



AEROTECH, INC. 101 Zeta Drive
Pittsburgh, PA. 15238
(412)963-7470 TWX710-795-3125

TOLERANCES ON
FRACTIONS DECIMALS ANGLES
0 TO 6 ± 1/32 XX ± .01 ± 0-30'
OVER 6 ± 1/16 XXX ± .005

RMS FINISH ✓ EXCEPT AS NOTED

DRAWN	EJB	04/96
CHECKED	WG	07/97
APPD.	WG	07/97

UNIDEX 100 BRUSHLESS
MOTOR CABLE (BMP4-1)
FOR USE WITH BM500

PART CODE BMP4	SIZE C	630C1583-1	REV. B
SCALE NTS	FILE NAME 630C1583-1B1.DWG	SHEET 1 OF 1	