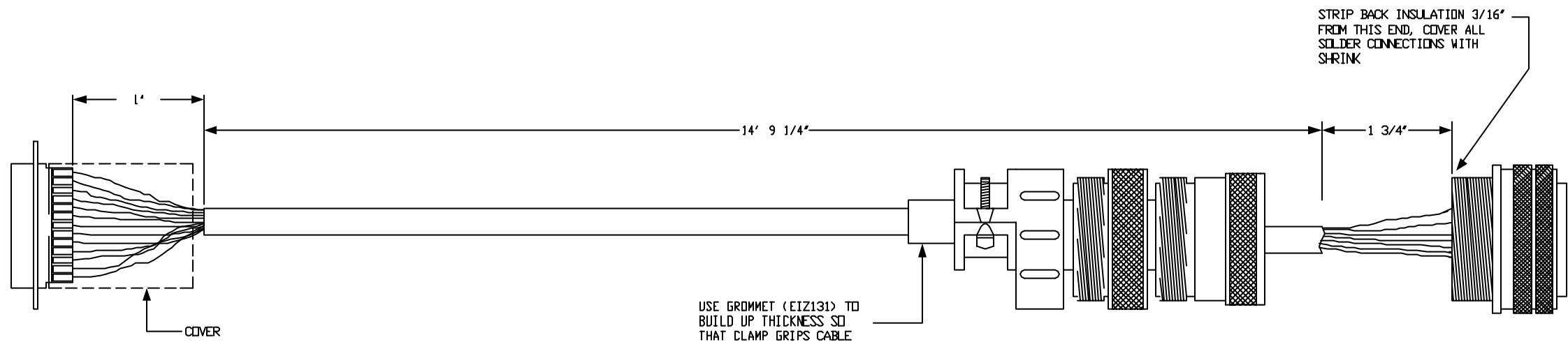
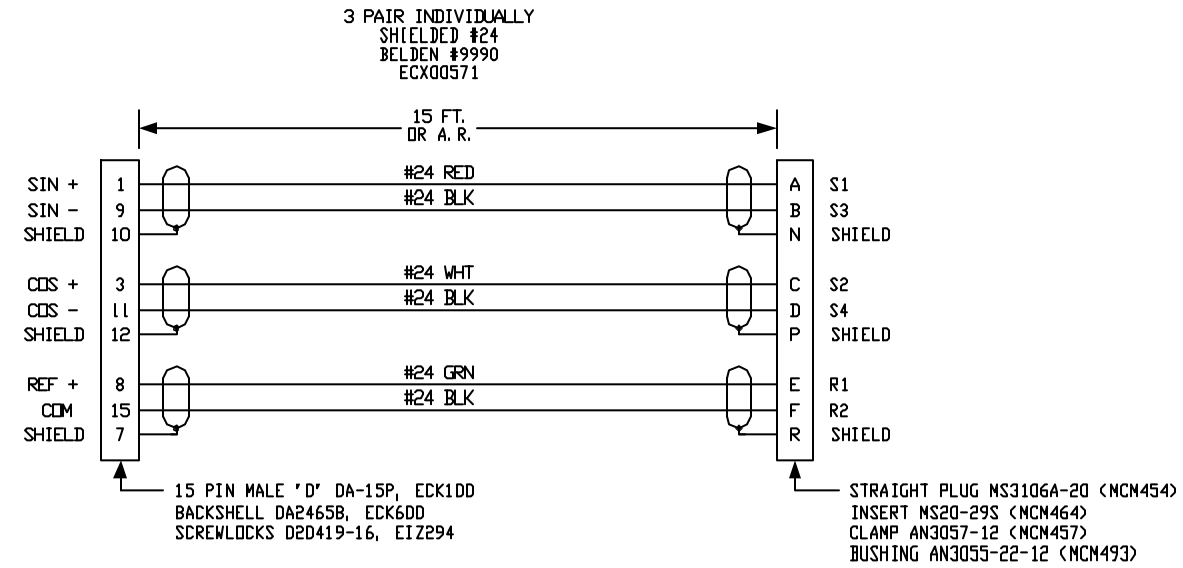
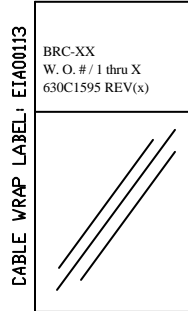



REVISIONS				
REV.	ZONE	DESCRIPTION	DATE	DRAWN
A		ADDED ECN1206, ADD SHIELDS TO MS CONN.	5/30/95	EJB



LABELS FOR BRC CABLES:  
(1) REQUIRED



PROPRIETARY INFORMATION THIS DRAWING IS THE PROPERTY OF AEROTECH, INC. AND IS SUBMITTED IN CONFIDENCE AND SHALL NOT BE REPRODUCED NOR COPIED NOR DISCLOSED TO OTHERS UNDER PENALTY OF LAW.			 AEROTECH, INC. 101 Zeta Drive Pittsburgh, PA. 15238 (412)963-7470 TWX710-795-3125		
TOLERANCES ON FRACTIONS DECIMALS ANGLES 0 TO 6 ± 1/32 XX ± .01 ± 0-30' OVER 6 ± 1/16 XXX ± .005			<b>BRUSHLESS RESOLVER CABLE (BRC)</b>		
RMS FINISH		EXCEPT AS NOTED	DRAWN	EJB	03/95
CHECKED		AGS	PART CODE	SIZE	REV.
APPD.		AGS	-	C	A
SCALE -			FILE NAME	630C1595A1.dwg	SHEET 1 OF 1
			630C1595		