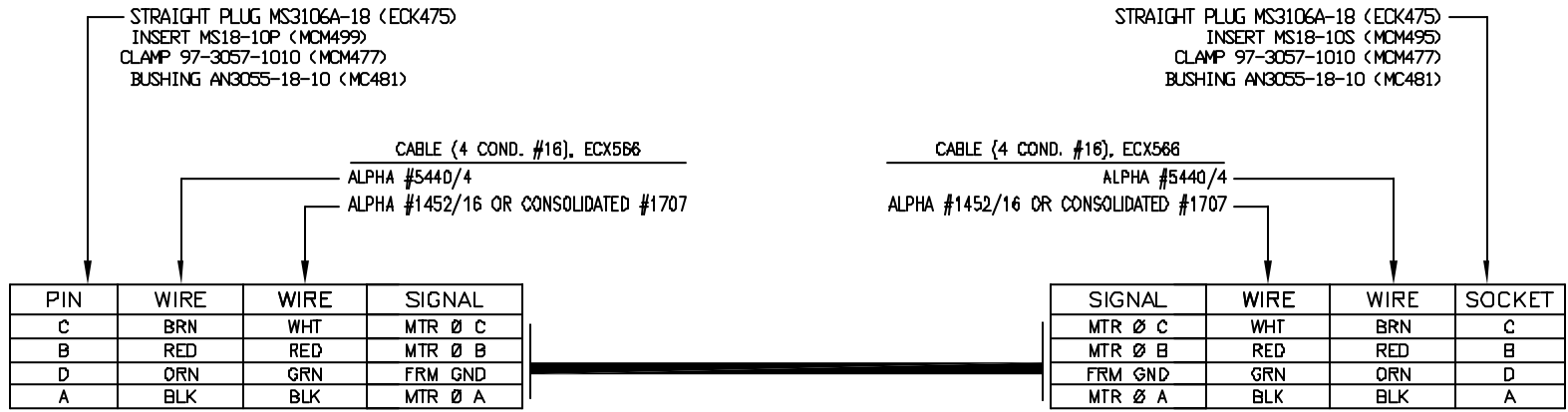
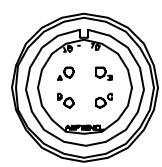
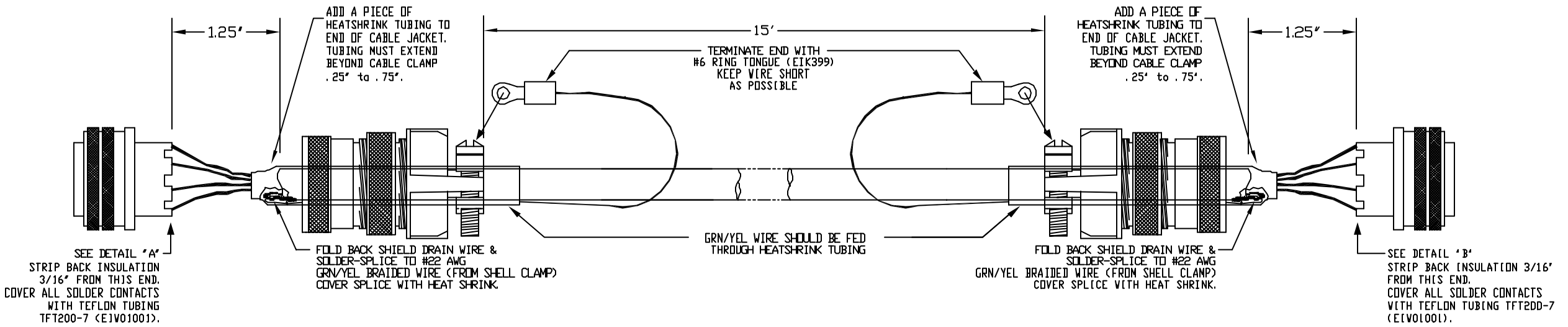


REVISIONS				
REV.	ZONE	DESCRIPTION	DATE	DRAWN
A		ADDED ECN2739	6/25/97	NTC

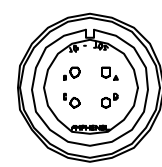


1 STARTING CABLE LENGTH = 15 FT 5 IN



DETAIL "A"

VIEWED FROM WIRE SIDE OF CONNECTOR
 AMPHENOL PIN INSERT MS18-10P (MCM499)



DETAIL "B"

VIEWED FROM WIRE SIDE OF CONNECTOR
 AMPHENOL SOCKET INSERT MS18-10S (MCM495)

PROPRIETARY INFORMATION
 THIS DRAWING IS THE PROPERTY
 OF AEROTECH, INC. AND IS
 SUBMITTED IN CONFIDENCE AND
 SHALL NOT BE REPRODUCED NOR
 COPIED NOR DISCLOSED TO OTHERS
 UNDER PENALTY OF LAW.



AEROTECH, INC. 101 Zeta Drive
 Pittsburgh, PA. 15238
 (412)963-7470 TWX710-795-3125

TOLERANCES ON
 FRACTIONS DECIMALS ANGLES
 0 TO 6 ±1/32 XX ±.01 ± 0-30'
 OVER 6 ± 1/16 XXX ±.005

RMS FINISH EXCEPT AS NOTED

DRAWN	EJB	04/96
CHECKED	WG	07/97
APPD.	WG	07/97

**BRUSHLESS MOTOR CABLE
 W/ MILITARY CONN.
 (BMCM)**

PART CODE	SIZE	REV.
BMCM	C	A

630C1651-1

SCALE NTS FILE NAME 630C1651-1A1.DWG SHEET 1 OF 1