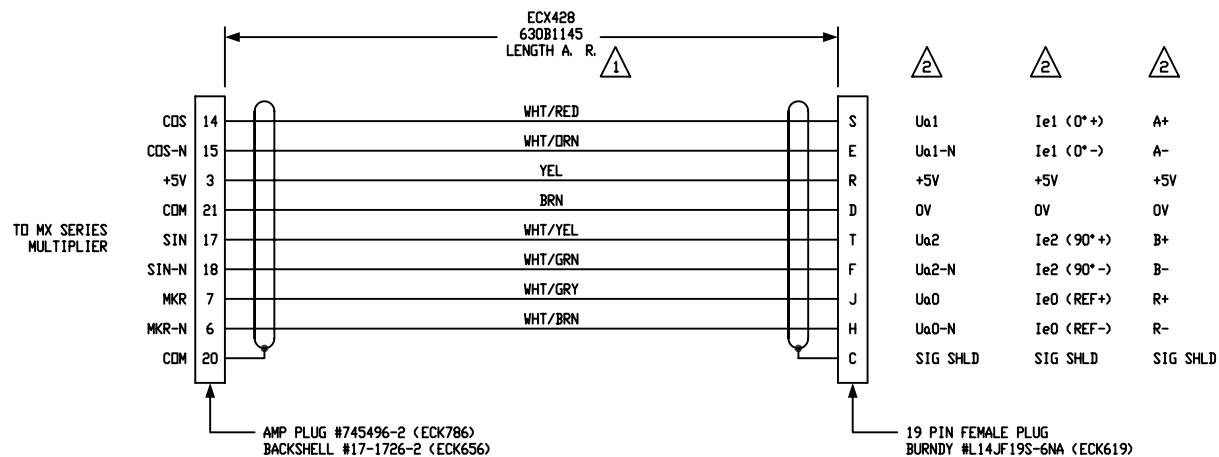
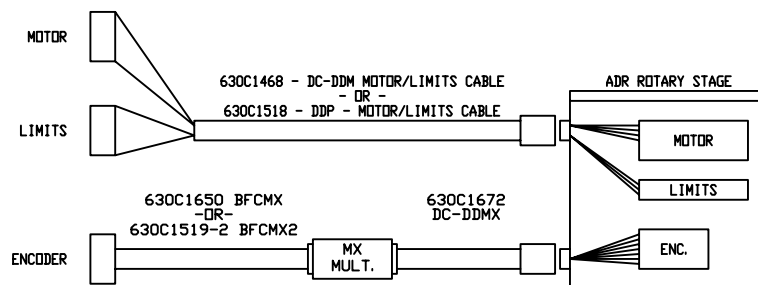


REVISIONS				
REV.	ZONE	DESCRIPTION	DATE	DRAWN
A		ADDED ECN2713	6/97	WG
B		ADD BFCMX2 CABLE DESCRIPTION	1/99	JAB



1 MAX. LENGTH = 3 FT. WHEN USING WITH LOW LEVEL ENCODERS (e. g. 11uA SIGNALS)

2 HEIDENHAIN ENCODER OUTPUT NOMENCLATURE REFERENCE DRAWING 630C1466 FOR ENCODER MODEL TYPE.



PROPRIETARY INFORMATION  
THIS DRAWING IS THE PROPERTY  
OF AEROTECH, INC. AND IS  
SUBMITTED IN CONFIDENCE AND  
SHALL NOT BE REPRODUCED NOR  
COPIED NOR DISCLOSED TO OTHERS  
UNDER PENALTY OF LAW.



AEROTECH, INC. 101 Zeta Drive  
Pittsburgh, PA. 15238  
(412)963-7470 TWX710-795-3125

TOLERANCES ON  
FRACTIONS DECIMALS ANGLES  
0 TO 6 ± 1/32 .XX ± .01 ± 0-30'  
OVER 6 ± 1/16 .XXX ± .005

RMS FINISH EXCEPT AS NOTED

DRAWN	NTC	08/97
CHECKED	AGS	01/99
APPD.	JAB	01/99

### ADR ENCODER TO MX BOX CABLE (DC-DDMX)

PART CODE	SIZE	REV.
-	C	B
630C1672		
SCALE NTS	FILE NAME	SHEET
	630C1672B1.dwg	1 OF 1