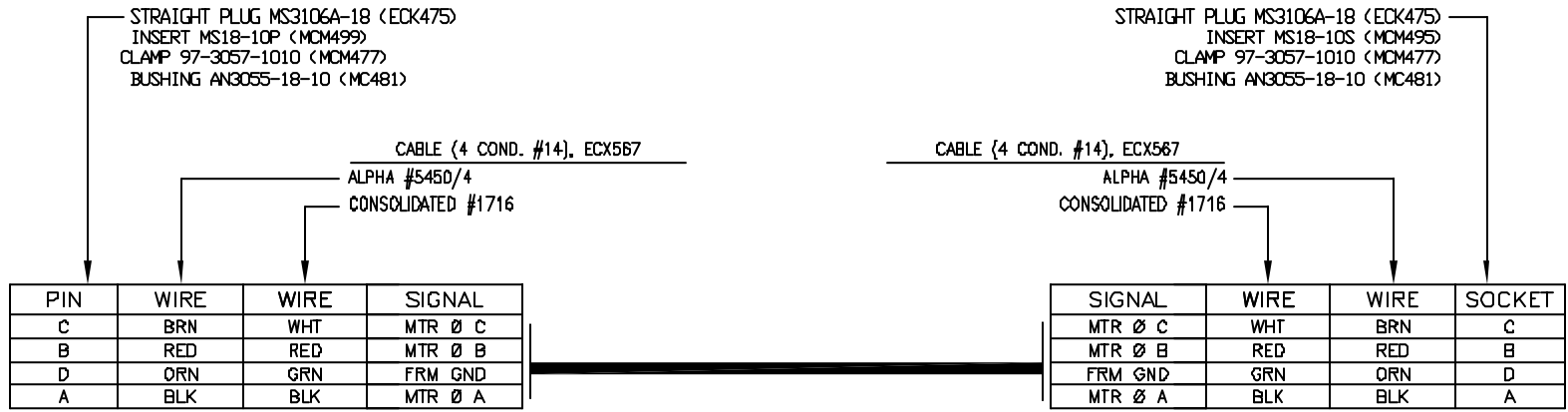
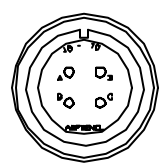
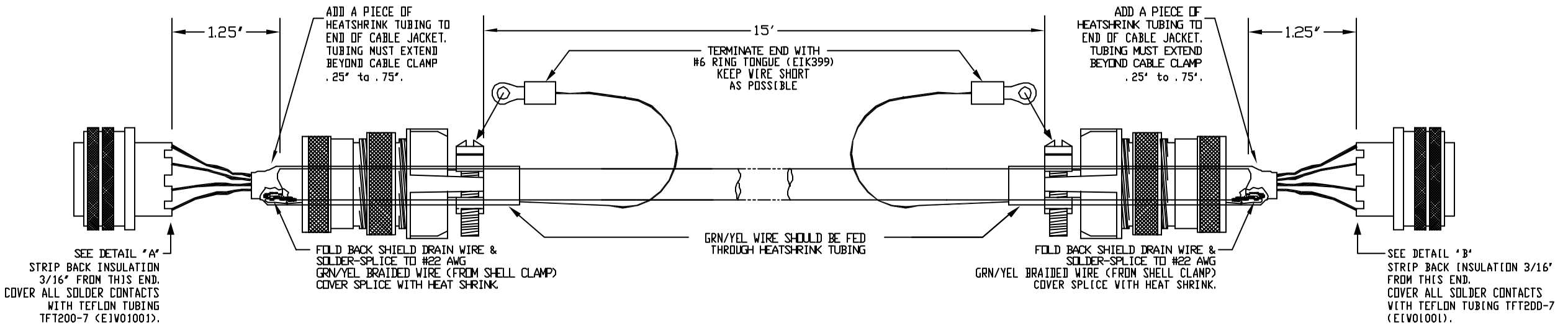


REVISIONS				
REV.	ZONE	DESCRIPTION	DATE	DRAWN

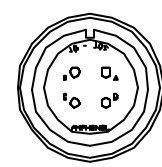


1 STARTING CABLE LENGTH = 15 FT 5 IN



DETAIL "A"

VIEWED FROM WIRE SIDE OF CONNECTOR
AMPHENOL PIN INSERT MS18-10P (MCM499)



DETAIL "B"

VIEWED FROM WIRE SIDE OF CONNECTOR
AMPHENOL SOCKET INSERT MS18-10S (MCM495)

PROPRIETARY INFORMATION
THIS DRAWING IS THE PROPERTY
OF AEROTECH, INC. AND IS
SUBMITTED IN CONFIDENCE AND
SHALL NOT BE REPRODUCED NOR
COPIED NOR DISCLOSED TO OTHERS
UNDER PENALTY OF LAW.

AEROTECH® AEROTECH, INC. 101 Zeta Drive
Pittsburgh, PA. 15238
(412)963-7470 TWX710-795-3125

TOLERANCES ON
FRACTIONS DECIMALS ANGLES
0 TO 6 ±1/32 XX ±.01 ±D-30°
OVER 6 ±1/16 XXX ±.005

**BRUSHLESS MOTOR CABLE
W/MILITARY CONN. HEAVY DUTY
(BMCM1)**

RMS FINISH EXCEPT AS NOTED

DRAWN	EJB	11/97
CHECKED	AGS	11/97
APPD.	AGS	11/97

PART CODE	SIZE	REV.
BMCM1	C	-
630C1699-1		
SCALE NTS	FILE NAME 630C1699-101.DWG	SHEET 1 OF 1