

REVISIONS				
REV.	ZONE	DESCRIPTION	DATE	DRAWN

AMP PLUG #745496-2 (ECK786)
BACKSHELL #17-1726-2 (ECK656)
682A1031 (ECK445)
#24 AWG UNLESS OTHERWISE NOTED

STR. PLUG MS3106A-24 (MCM466) (STD)
ANGLE PLUG MS3108A-24 (DPT.)
ANGLE PLUG MS3108B-24 (DPT.)
INSERT MS24-28S (MCM469)
CLAMP AN3057-16 (MCM467)
BUSHING AN3055-28-16 (MCM474)

#24 AWG UNLESS OTHERWISE NOTED

PIN	WIRE	SIGNAL
13	ORN	BRK-
12	WHT	CW/+ LMT
11	-	-
10	-	-
9	-	-
8	WHT/VIO	TACH-
7	BRN	MKR
6	BLK	MKR-N
5	-	-
4	-	-
3	#22 WHT/BRN	ENC +5V
2	-	-
1	SHIELD	SIG SHLD
14	WHT/BLK	COS
15	VIO	COS-N
16	#22 WHT/BLU	LMT +5V
17	GRN	SIN
18	RED	SIN-N
19	WHT/RED	TACH+
20	#22 WHT/GRN	LMT COM
21	#22 WHT/YEL	ENC COM
22	PINK	HM LMT
23	-	-
24	GRY	CCW/- LMT
25	BLU	BRK+

SIGNAL	WIRE	PIN
LMT +5V	#22 WHT/BLU	W
LMT COM	#22 WHT/GRN	X
TACH+	WHT/RED	Y
TACH-	WHT/VIO	Z
CW/+ LMT	WHT	R
CCW/- LMT	GRY	S
HM LMT	PINK	T
BRK-	ORN	U
MTR-	#20 YEL	V
COS-N	VIO	K
SIN-N	RED	L
MKR-N	BLK	M
FRM GND	#20 GRN	N(1/2)
FRM GND	#20 WHT	N(2/2)
MTR+	#20 ORN	P
MTR-	#20 BLU	Q
COS	WHT/BLK	E
SIN	GRN	F
MKR	BRN	G
BRK+	BLU	H
MTR+	#20 RED	J
ENC+5V	#22 WHT/BRN	A
ENC COM	#22 WHT/YEL	B
SIG SHLD	SHIELD	C
MTR SHLD	SHIELD	D

UNUSED WIRES:
YEL

UNUSED WIRES:
#20 BRN

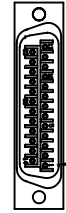
PIN	WIRE	SIGNAL
14	-	-
13	-	-
12	-	-
11	-	-
10	-	-
9	-	-
8	SHIELD	MTR SHLD
7	#20 RED	MTR+
6	#20 BLU	MTR-
5	#20 ORN	MTR+
4	#20 YEL	MTR-
3	-	-
2	-	-
1(2/2)	#20 WHT	FRM GND
1(1/2)	#20 GRN	FRM GND

PIN 1 EIK194 ONLY

AMP PLUG #206044-1 (ECK131)
BACKSHELL #206070-1 (ECK134)
#18-24 PINS #66102-7 (EIK192) QTY 5
#16-18 PIN #66098-7 (EIK194) QTY 1

FOR CRIMP TOOL USE AMP HANDLE ASSY 58074-1
WITH AMP HEAD ASSY 58063-2

FOR CRIMP TOOL USE AMP HANDLE ASSY 90277-1
OR USE AMP CRIMPER MODEL #565435-5
WITH AMP HEAD ASSY 66102-2



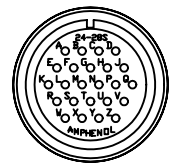
DETAIL "A"

AMP PLUG 745496-2 (ECK786)
VIEWED FROM WIRE SIDE OF CONNECTOR



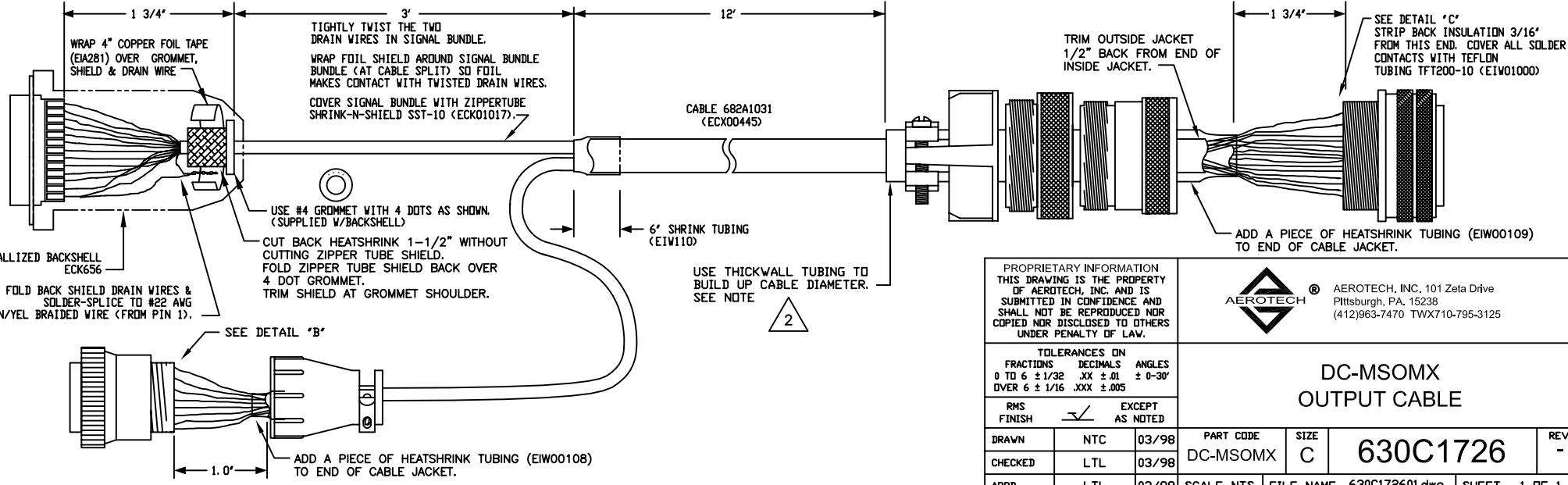
DETAIL "B"

AMP PLUG 206044-1 (ECK131)
VIEWED FROM WIRE SIDE OF CONNECTOR



DETAIL "C"

INSERT MS24-28S (MCM469)
VIEWED FROM WIRE SIDE OF CONNECTOR



PROPRIETARY INFORMATION
THIS DRAWING IS THE PROPERTY
OF AEROTECH, INC. AND IS
SUBMITTED IN CONFIDENCE AND
SHALL NOT BE REPRODUCED NOR
COPIED NOR DISCLOSED TO OTHERS
UNDER PENALTY OF LAW.

AEROTECH®
AEROTECH, INC. 101 Zeta Drive
Pittsburgh, PA, 15238
(412)963-7470 TWX710-795-3125

TOLERANCES ON
FRACTIONS DECIMALS ANGLES
0 TO 6 ±1/32 .XX ±.01 ±0-30'
OVER 6 ±1/16 .XXX ±.005

DC-MSOMX
OUTPUT CABLE

RMS FINISH	EXCEPT AS NOTED
DRAWN	NTC 03/98
CHECKED	LTL 03/98
APPD.	LTL 03/98

PART CODE	SIZE	SCALE	FILE NAME	SHEET	OF	REV.
DC-MSOMX	C	NTS	630C172601.dwg	1	OF 1	-