

REVISIONS				
REV.	ZONE	DESCRIPTION	DATE	DRAWN

STRAIGHT PLUG MS3106A-20 (MCM454)
 INSERT MS20-29S (MCM464)
 CLAMP 97-3057-1012 (MCM457)
 BUSHING AN3055-22-12 (MCM493)

CONSOLIDATED #5736
 (20 COND. #22), ECX579 (STANDARD)
 SIGNAL BUNDLE OF 682A1023 (ECX413)
 #24 AWG UNLESS OTHERWISE NOTED
 (OPTIONAL)

CONSOLIDATED #5736
 (20 COND. #22), ECX579 (STANDARD)
 SIGNAL BUNDLE OF 682A1023 (ECX413)
 #24 AWG UNLESS OTHERWISE NOTED
 (OPTIONAL)

WIRE	WIRE	SIGNAL
-	-	-
WHT	WHT/BLU	CW/+ LMT
BLU/WHT	WHT/BLK/BRN	HC
RED/WHT	RED/GRN	HA
-	-	-
-	-	-
BLU/BLK	WHT/GRY	MKR
ORN/BLK	WHT/BRN	MKR-N
BLK/WHT	RED/YEL	HB
-	-	-
RED/BLK	#22 YEL	ENC +5V
RED/GRN	WHT/BLK/RED	EXT S.D.
SHIELD	SHIELD	SIG SHLD
WHT/RED	WHT/RED	COS
ORN/RED	WHT/ORN	COS-N
RED	#22 PINK	+5V
BLU/RED	WHT/YEL	SIN
BLK/RED	WHT/GRN	SIN-N
-	-	-
GRN	#22 BRN	LMT COM
GRN/BLK	#22 WHT/BLK	ENC COM
ORN	RED/BLK	HM LMT
-	-	-
BLK	WHT/VIO	CCW/- LMT
-	-	-

SIGNAL	WIRE	WIRE	SOCKET
ENC COM	#22 WHT/BLK	GRN/BLK	G
ENC +5V	#22 YEL	RED/BLK	H(1/2)
+5V	#22 PINK	RED	H(2/2)
MKR-N	WHT/BRN	ORN/BLK	F
SIG SHLD	SHIELD	SHIELD	J
CW/+ LMT	WHT/BLU	WHT	S
HM LMT	RED/BLK	ORN	R
MKR	WHT/GRY	BLU/BLK	E
HA	RED/GRN	RED/WHT	K
CCW/- LMT	WHT/VIO	BLK	T
HC	WHT/BLK/BRN	BLU/WHT	P
SIN-N	WHT/GRN	BLK/RED	D
EXT S.D.	WHT/BLK/RED	RED/GRN	L
LMT COM	#22 BRN	GRN	N
SIN	WHT/YEL	BLU/RED	C
HB	RED/YEL	BLK/WHT	M
COS-N	WHT/ORN	ORN/RED	B
COS	WHT/RED	WHT/RED	A

UNUSED WIRES (ECX413): TAN, VIO, GRY
 UNUSED WIRES (ECK579): BLU, GRN/WHT, WHT/BLK

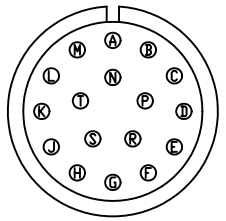
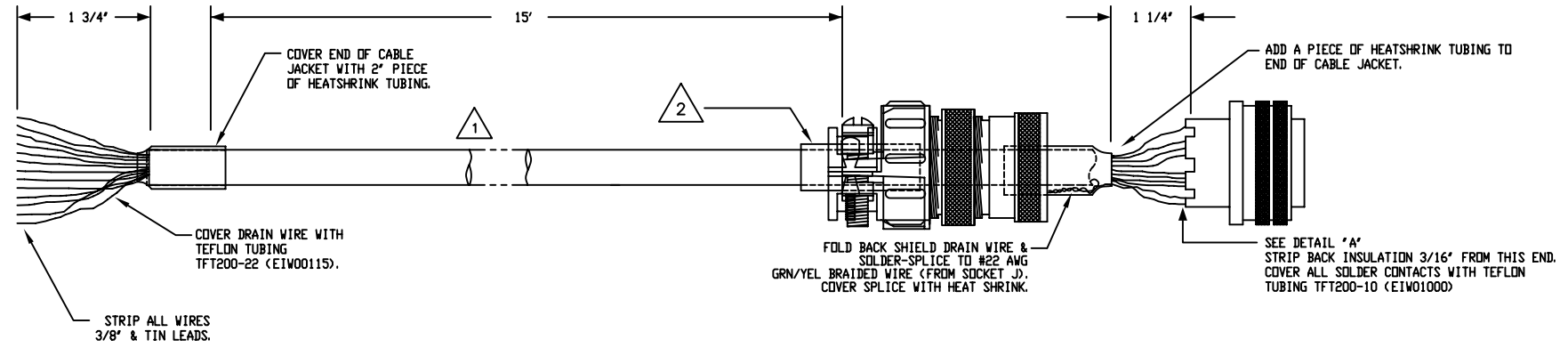


USE 2" LENGTHS OF THICK WALL HEATSHRINK TUBING (E1W00113 - QTY 2, E1W00112 - QTY 1) TO BUILD UP CABLE DIAMETER FOR PROPER STRAIN RELIEFING. STRAIN RELIEFING MUST WITHSTAND 35 LB. PULL.

CUT THICK WALL HEATSHRINK TUBING WITH CABLE CUTTER SUCH THAT ENDS ARE PERPENDICULAR TO CABLE AND CUT IS SMOOTH. THICK WALL HEATSHRINK TUBING:
 AMP # 53701-1 (E1W00112) MAX INSIDE DIA = .750" (EXPANDED), MIN INSIDE DIA = .220" (RECOVERED)
 AMP # 53700-1 (E1W00113) MAX INSIDE DIA = .400" (EXPANDED), MIN INSIDE DIA = .150" (RECOVERED)



STARTING CABLE LENGTH = 15 FT 5 IN



VIEWED FROM WIRE SIDE OF CONNECTOR
 AMPHENDL SOCKET INSERT MS20-29S (MCM464)

PROPRIETARY INFORMATION
 THIS DRAWING IS THE PROPERTY
 OF AEROTECH, INC. AND IS
 SUBMITTED IN CONFIDENCE AND
 SHALL NOT BE REPRODUCED NOR
 COPIED NOR DISCLOSED TO OTHERS
 UNDER PENALTY OF LAW.

TOLERANCES ON
 FRACTIONS DECIMALS ANGLES
 0 TO 6 ± 1/32 .XX ± .01 ± 0-30'
 OVER 6 ± 1/16 .XXX ± .005

RMS FINISH EXCEPT AS NOTED

DRAWN	LTL	05/98
CHECKED	AGS	05/98
APPD.	AGS	05/98

AEROTECH, INC. 101 Zeta Drive
 Pittsburgh, PA. 15238
 (412)963-7470 TWX710-795-3125

**BRUSHLESS LINEAR MOTOR
 FEEDBACK CABLE (PFCL)
 WITH FLYING LEADS**

PART CODE	SIZE	REV.
-	C	-
630C1743		
SCALE NTS	FILE NAME	SHEET
	630C174301.dwg	1 OF 1