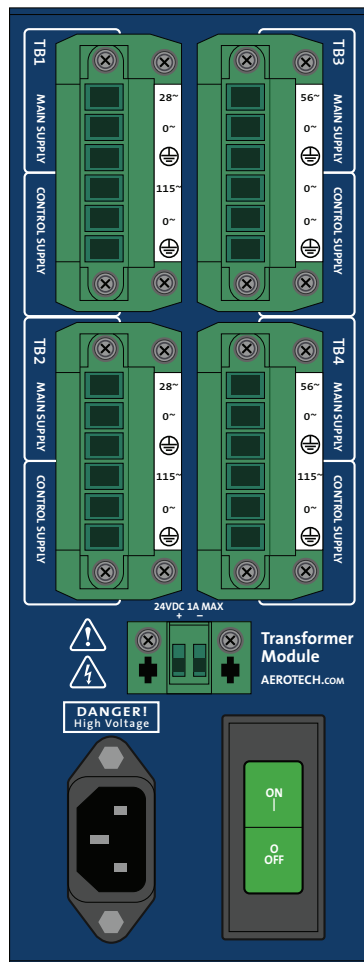




TM5 Hardware Manual

P/N: EDO118
Revision: 2.01.00



Global Technical Support

Go to www.aerotech.com/service-and-support.aspx for information and support about your Aerotech products. The website provides downloadable resources (such as up-to-date software, product manuals, and Help files), training schedules, and PC-to-PC remote technical support. You can also complete Product Return (RMA) forms and get information about repairs and spare or replacement parts. For immediate help, contact a service office or your sales representative. Have your customer order number available before you call or include it in your email.

United States (World Headquarters)	
Phone: +1-412-967-6440 Fax: +1-412-967-6870 Email: service@aerotech.com	101 Zeta Drive Pittsburgh, PA 15238-2897 www.aerotech.com
United Kingdom	Japan
Phone: +44 (0)1256 855055 Fax: +44 (0)1256 855649 Email: service@aerotech.co.uk	Phone: +81 (0)43 467 2249 Fax: +81 (0)43 306 3773 Email: service@aerotechkk.com.jp
Germany	China
Phone: +49 (0)911 967 9370 Fax: +49 (0)911 967 93720 Email: service@aerotechgmbh.de	Phone: +86 (21) 3319 7715 Email: saleschina@aerotech.com
France	Taiwan
Phone: +33 1 64 93 58 67 Email: sales@aerotech.co.uk	Phone: +886 (0)2 8751 6690 Email: service@aerotech.tw

This manual contains proprietary information and may not be reproduced, disclosed, or used in whole or in part without the express written permission of Aerotech, Inc. Product names mentioned herein are used for identification purposes only and may be trademarks of their respective companies.

Copyright © 2005-2015, Aerotech, Inc. All rights reserved.

Aerotech Worldwide

United States ■ France ■ Germany ■ United Kingdom
China ■ Japan ■ Taiwan



Table of Contents

- Table of Contents iii
- List of Figures iv
- List of Tables v
- EC Declaration of Conformity vii**
- Safety Procedure and Warnings viii**
- Agency Approvals x**
- Chapter 1: TM5 Transformer Module 1**
 - 1.1. Electrical Specifications 3
 - 1.2. Installation and Mounting 4
 - 1.2.1. Handling and Transportation 4
 - 1.2.2. Installation 4
 - 1.2.3. Mechanical Specifications 4
 - 1.2.4. Environmental Specifications 6
 - 1.2.5. System Interconnection 7
 - 1.2.6. AC Power Input 10
 - 1.2.7. Power Output Connections (TB1-TB4) 10
 - 1.2.8. Optional +24VDC Output 11
 - 1.3. Operation 12
 - 1.4. Maintenance 13
 - 1.4.1. Troubleshooting 14
 - 1.4.2. Fuse Replacement 14
 - 1.4.3. Preventative Maintenance 15
- Appendix A: Warranty and Field Service 17**
- Appendix B: Revision History 19**
- Index 21**

List of Figures

Figure 1-1: TM5 Transformer Module 1
Figure 1-2: TM5 Dimensions 5
Figure 1-3: System Interconnect Example (HPe) 7
Figure 1-4: System Interconnect Example (CP) 8
Figure 1-5: System Interconnect Example (CL) 9

List of Tables

Table 1-1: TM5Configurations and Options 2
Table 1-2: Electrical Specifications 3
Table 1-3: Mechanical Specifications 5
Table 1-4: Power Output Connections (TB1-4)10
Table 1-5: Power Output Mating Connector 10
Table 1-6: +24 VDC Output Connections11
Table 1-7: +24 VDC Output Mating Connector11
Table 1-8: Symptoms, Causes, and Solutions 14
Table 1-9: TM5 Fuse Replacement Part Numbers14
Table 1-10: Preventative Maintenance15

EC Declaration of Conformity

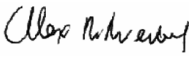
Manufacturer Aerotech, Inc.
Address 101 Zeta Drive
 Pittsburgh, PA 15238-2897
 USA
Product TM5
Model/Types All

This is to certify that the aforementioned product is in accordance with the applicable requirements of the following Directive(s):

2006/95/EC	Low Voltage Directive
2011/65/EU	RoHS 2 Directive

and has been designed to be in conformity with the applicable requirements of the following documents when installed and used in accordance with the manufacturer’s supplied installation instructions.

EN 61010-1	Safety requirements for electrical equipment
------------	--

Name  / Alex Weibel
Position Engineer Verifying Compliance
Location Pittsburgh, PA
Date April 7, 2015

Safety Procedure and Warnings

The following statements apply wherever the Warning or Danger symbol appears within this manual. Failure to observe these precautions could result in serious injury to those individuals performing the procedures and/or damage to the equipment.

NOTE: Read this manual in its entirety before installing, operating, or servicing this product. If you do not understand the information contained herein, contact an Aerotech representative before proceeding. Strictly adhere to the statements given in this section and other handling, use, and operational information given throughout the manual to avoid injury to you and damage to the equipment.

NOTE: Aerotech continually improves its product offerings; listed options may be superseded at any time. All drawings and illustrations are for reference only and were complete and accurate as of this manual's release. Refer to www.aerotech.com for the most up-to-date information.

WARNING: To minimize the possibility of electrical shock, bodily injury or death the following precautions must be followed.



1. Use of this equipment in ways other than described by this manual can cause personal injury or equipment damage.
2. Moving parts can cause crushing or shearing injuries. Access to all stage and motor parts must be restricted while connected to a power source.
3. Cables can pose a tripping hazard. Securely mount and position all system cables to avoid potential hazards.
4. Do not expose the TM5 to environments or conditions outside of the listed specifications. Exceeding environmental or operating specifications can cause damage to the equipment.
5. If the TM5 is used in a manner not specified by the manufacturer, the protection provided by the TM5 can be impaired and result in damage, shock, injury, or death.
6. Operators must be trained before operating this equipment.
7. All service and maintenance must be performed by qualified personnel.
8. The TM5 is intended for light industrial manufacturing or laboratory use. Use of the TM5 for unintended applications can result in injury and damage to the equipment.



DANGER: This product contains potentially lethal voltages. To reduce the possibility of electrical shock, bodily injury, or death the following precautions must be followed.

1. Disconnect electrical power before making any mechanical adjustments or performing maintenance.
2. Disconnect electrical power before performing any wiring.
3. Access to the TM5 and component parts must be restricted while connected to a power source.
4. Residual voltages greater than 60V may be present inside TM5 chassis for longer than 10 seconds after power has been disconnected.
5. To minimize the possibility of electrical shock and bodily injury, extreme care must be exercised when any electrical circuits are in use. Suitable precautions and protection must be provided to warn and prevent persons from making contact with live circuits.
6. Install the TM5 inside a rack or enclosure.
7. Do not connect or disconnect any electrical components or connecting cables while connected to a power source.
8. Make sure the TM5 and all components are properly grounded in accordance with local electrical safety requirements.
9. Operator safeguarding requirements must be addressed during final integration of the product.

Agency Approvals

Aerotech, Inc. Model TM5 Transformer Modules have been tested and found to be in accordance to the following listed Agency Approvals:

Approval / Certification:	CUS NRTL
Approving Agency:	TUV SUD America Inc.
Certificate #:	U8 13 07 68995 011
File / Report #:	092-1304525-000
Standards:	UL 61010-1; CAN/CSA-C22.2 No. 61010-1

Chapter 1: TM5 Transformer Module

The TM5 transformer module provides and distributes isolated AC bus supply voltages for up to four Aerotech controllers. It is configured at the factory to provide 28 VAC, 56 VAC, 115 VAC or a combination of these voltages with a maximum transformer output power capability of 500 watts.

The TM5 also provides Control Supply outputs for powering the control power inputs of up to four Aerotech products and a 24 VDC power supply that provides the user with 24 VDC output with a current capacity of up to 1 A.

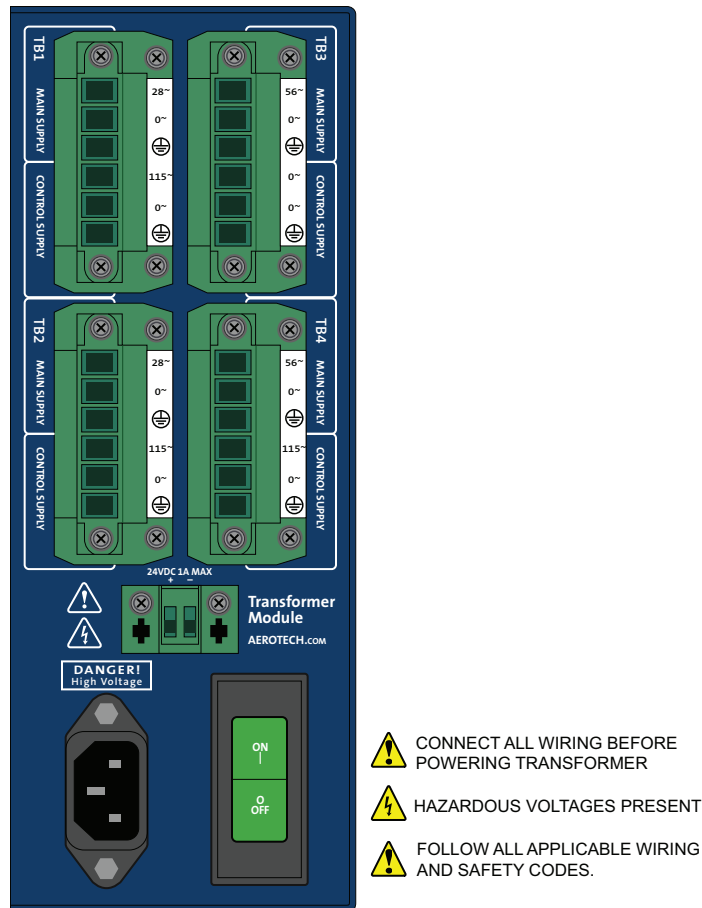


Figure 1-1: TM5 Transformer Module

The TM5 is built according to the configuration and options selected when the TM5 was ordered.

Table 1-1: TM5 Configurations and Options

AC Power Input (factory configured)			
-A	115 VAC	-C	100 VAC
-B	230 VAC	-D	200 VAC
Bus Voltage 1 & 2			
-28VAC	28 VAC (for 40 VDC Bus)		
-56 VAC	56 VAC (for 80 VDC Bus)		
-56 VAC CT	56 VAC center tap for CL drives (for 40 VDC bus)		
Axis Split			
/1-3	Axis 1 output is Bus 1, Axis 2-4 outputs are Bus 2		
/2-2	Axis 1-2 outputs are Bus 1, Axis 3-4 outputs are Bus 2		
/3-1	Axis 1-3 outputs are Bus 1, Axis 4 output is Bus 2		
/No Split	Axis 1-4 outputs are Bus 1 (Bus 2 = Bus 1)		
Optional Power Supply			
/PS24-1	Optional 24 VDC power supply (1 A Max.)		
Optional Brake Cable (Only selected when /PS24-1 is selected)			
/C24-06	6 decimeter power supply cable		
/C24-09	9 decimeter power supply cable		
/C24-12	12 decimeter power supply cable		
/C24-15	15 decimeter power supply cable		
/C24-18	18 decimeter power supply cable		
Control & Main Supply Cables			
-C1	Cable Axis 1	-C3	Cable Axis 3
-C2	Cable Axis 2	-C4	Cable Axis 4
Cable Type			
-AB	Output cable for motor and control supply (HPE and CP Drives)		
-AM	Output cable for motor and control supply (MP Drive)		
-ML	Output cable for motor and control supply (ML Drive)		
-AL	Output cable for motor and control supply (CL Drive)		
Standard Cable Lengths			
-06	6 decimeter (2 ft)	-15	15 decimeter (5 ft)
-09	9 decimeter (3 ft)	-18	18 decimeter (6 ft)
-12	12 decimeter (4 ft)		
Line Cord Options			
/England	English line cord	/Australia	Australian line cord
/Germany	German line cord	/US-115 VAC	US-115 VAC line cord
/Israel	Israeli line cord	/US-230 VAC	US-230 VAC line cord
/India	Indian line cord	/NO-LINECORD	No line cord

1.1. Electrical Specifications

Electrical specifications for the TM5 are listed in [Table 1-2](#).

Table 1-2: Electrical Specifications

Transformer	Aerotech EAX01019 Transformer (standard)
AC Input Configurations	100 VAC, 115 VAC, 200 VAC or 230 VAC
Peak AC Input Inrush Current	200 Apk (1/2 cycle)
Operating Frequency	50/60Hz
Maximum Continuous Transformer Output Power	500 Watts, Max. @ 20°C
Peak Transformer Output Power	800 Watts, Max. @ 20°C
Short Circuit / Over Current Protection	AC input breaker/switch 100/115 VAC 10 A, 200/230 VAC 5 A (Supplementary protection only)
	100 VAC / 115 VAC configurations contain 8 A Slow Blow fuse connected to transformer primary winding
	200 VAC / 230 VAC configurations contain 4 A Slow Blow fuse connected to transformer primary winding
Thermal Production	Integral transformer thermal switch is normally closed. Thermal switch opens when internal temperature of transformer reaches 110°C.
Secondary Winding Configuration	28 VAC (40 VDC Bus)
	56 VAC (80 VDC Bus)
	112 VAC (160 VDC Bus)
+24 VDC Output	1 A maximum

1.2. Installation and Mounting

Installation and mounting information for the TM5 is provided in the following sections. Additional information is also provided in component manuals and other supplied drawings.



WARNING: Allow all system components to adjust to room temperature before installing. Do not install or apply power to system components if there is condensed moisture on components.



WARNING: All system components must be mounted securely before connecting cables and applying power.

1.2.1. Handling and Transportation

The Aerotech TM5 transformer module can be easily handled by firmly grasping the TM5 chassis itself. Be sure to grip the chassis firmly because the finish on the TM5 can be slippery. Do not attempt to hold or transport the TM5 by grasping onto cables or other hardware. When transporting the TM5 transformer module, it should be placed into a protective plastic bag and then into a box containing an appropriate packing material.

1.2.2. Installation

The Aerotech TM5 transformer module must be installed inside a rack on enclosure. Sufficient space (25 mm (1 inch) minimum) must be provided around the TM5 to allow for sufficient air circulation. Fan cooling is recommended with the airflow directed towards the vents. Allow at least a 100 mm (4 inch) minimum from the front cover for cable and connector clearance.

1.2.3. Mechanical Specifications

The outline dimensions for the TM5 transformer module are shown in [Figure 1-2](#). Mechanical specifications for TM5 are listed in [Table 1-3](#).

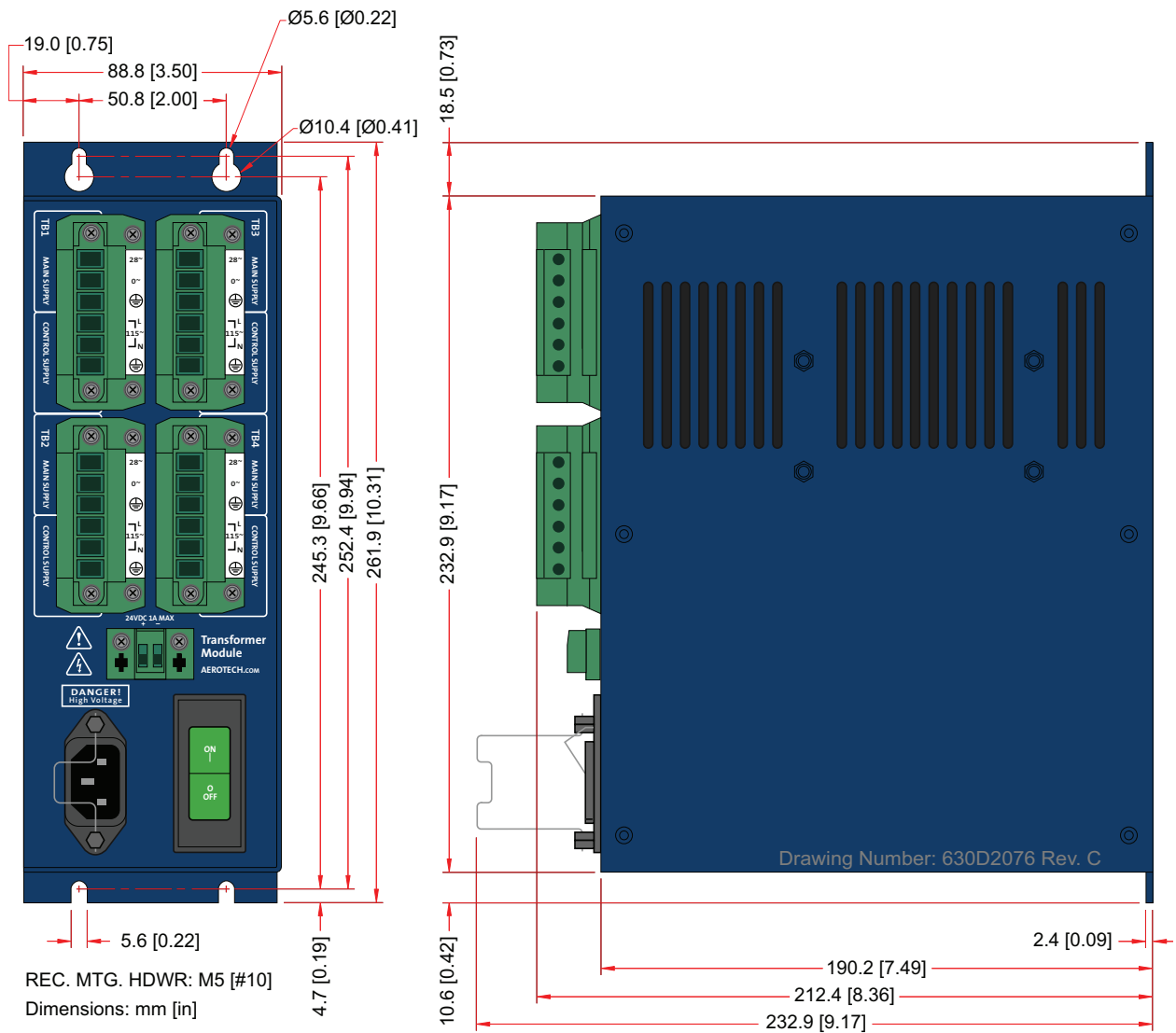


Figure 1-2: TM5 Dimensions

NOTE: Aerotech continually improves its product offerings; listed options may be superseded at any time. All drawings and illustrations are for reference only and were complete and accurate as of this manual's release. Refer to www.aerotech.com for the most up-to-date information.

Table 1-3: Mechanical Specifications

Weight	7.54 kg (16.6 lbs)
Mounting Requirements	Rack or Enclosure mounting is required

1.2.4. Environmental Specifications

Temperature:	Ambient Operating: 5° - 40°C (41° - 104°F) Storage: -20° - 70°C (-4° - 158°F)
Humidity:	Maximum relative humidity is 80% for temperatures up to 31°C. Decreasing linearly to 50% relative humidity at 40°C. Non condensing.
Altitude:	Up to 2000 m
Pollution:	Pollution degree 2 (normally only non conductive pollution)
Use:	Indoor use only

1.2.5. System Interconnection

System interconnection examples are shown below but cables can be purchased from Aerotech.

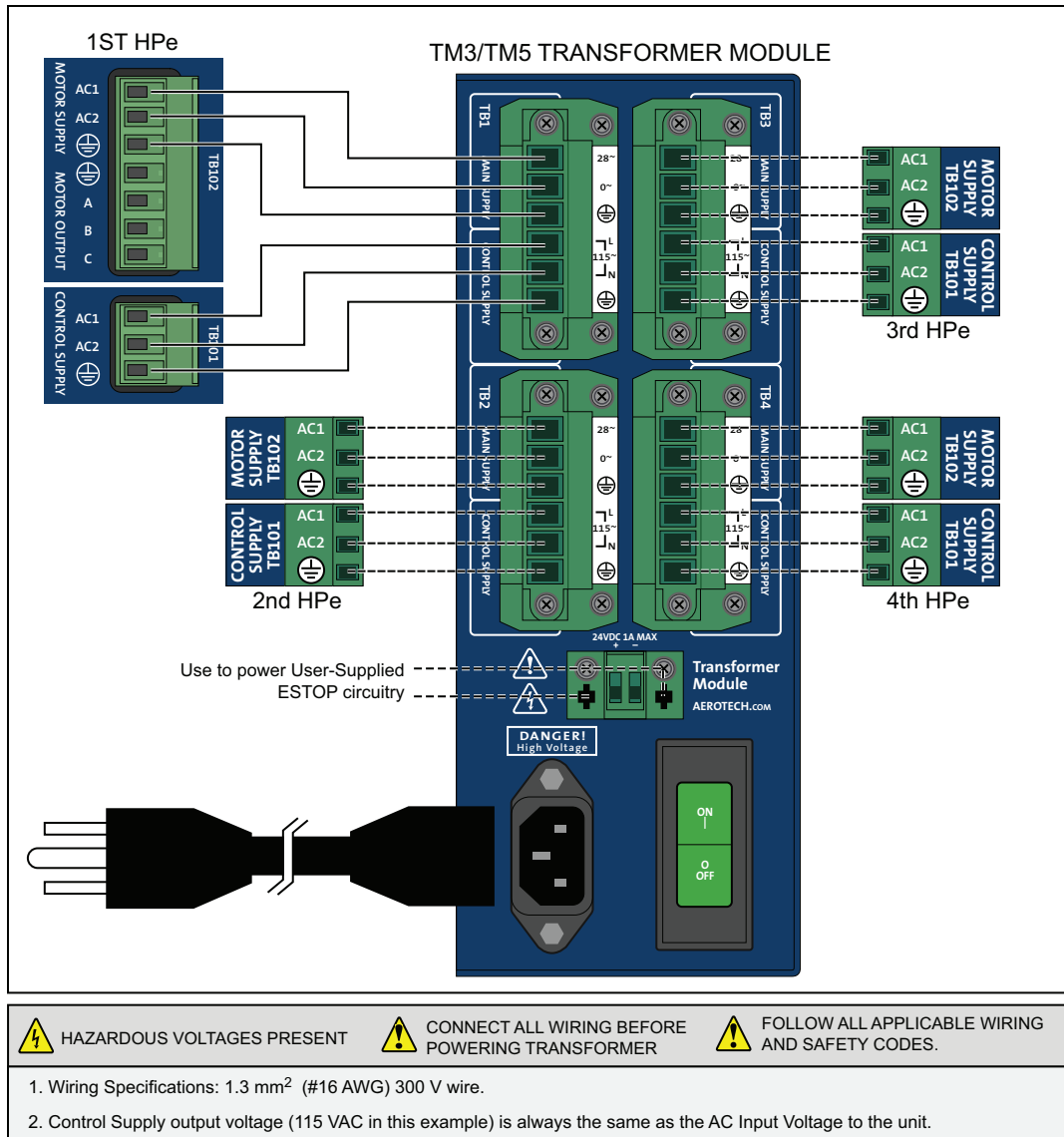


Figure 1-3: System Interconnect Example (HPe)

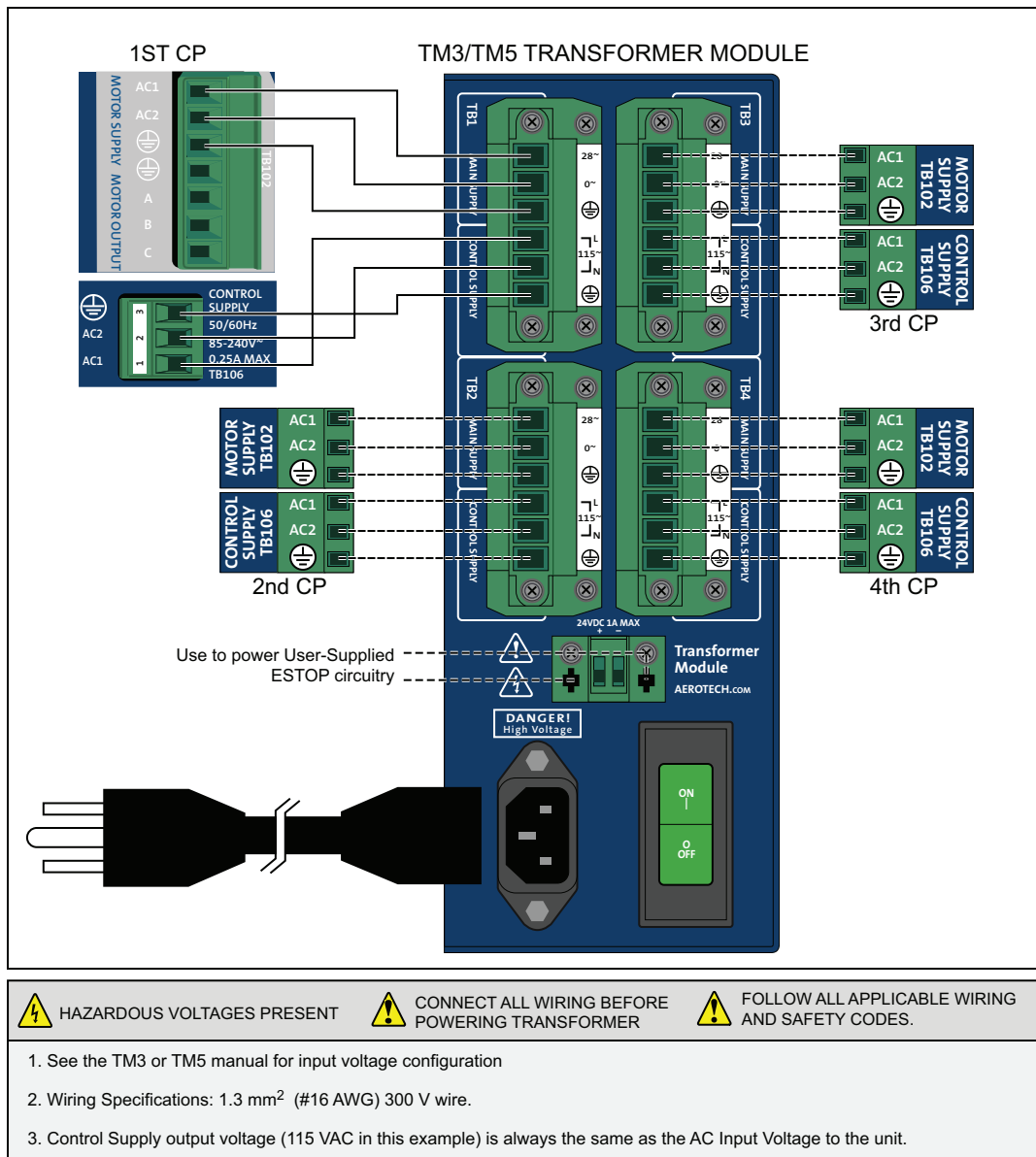


Figure 1-4: System Interconnect Example (CP)

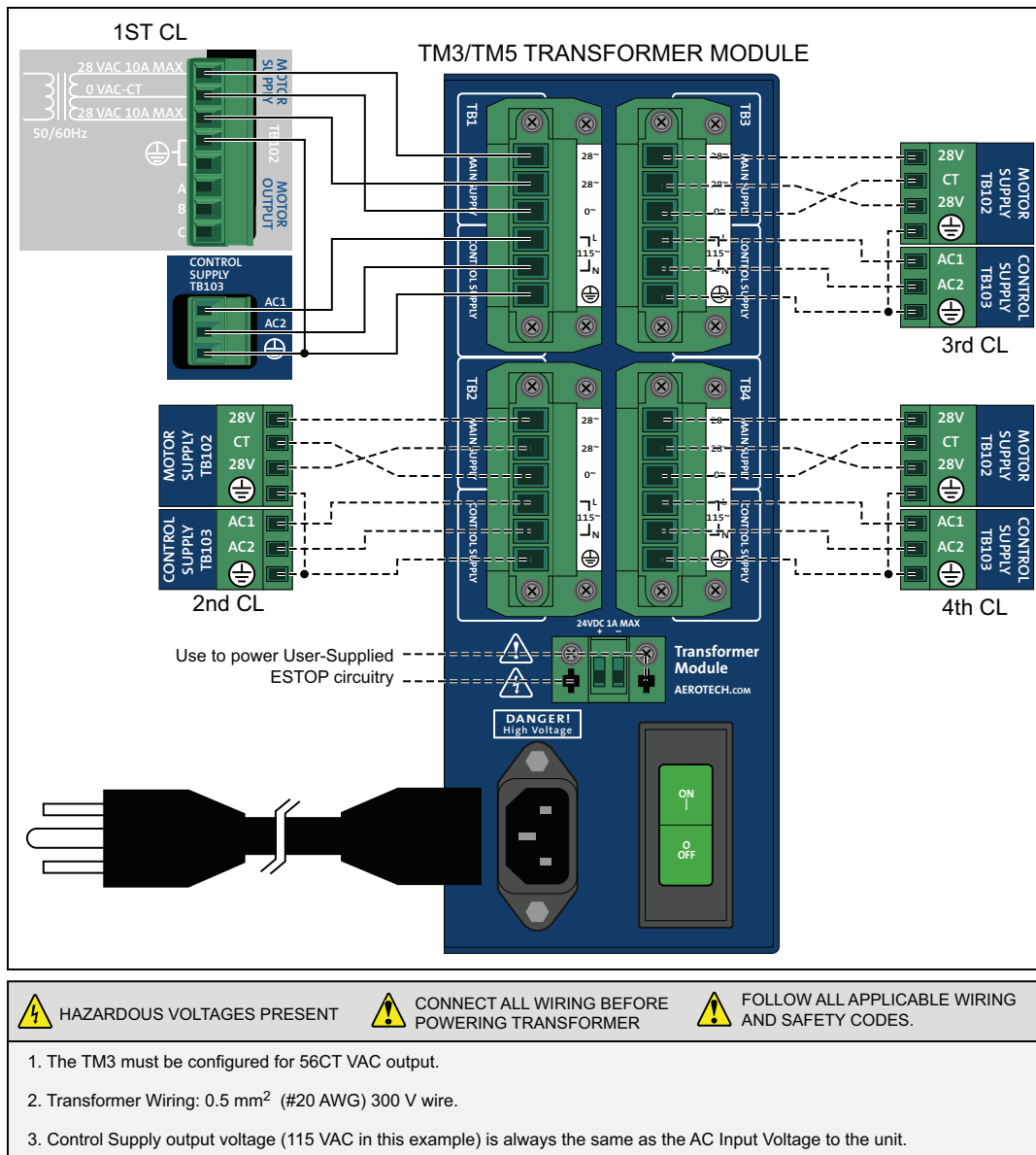


Figure 1-5: System Interconnect Example (CL)

1.2.6. AC Power Input

AC power is supplied to the TM5 via the AC inlet located next to the power switch / breaker. This connection is made through a standard line cord supplied with the TM5 transformer module. The AC power input ratings are listed on the power label on the TM5 transformer module.



WARNING: The AC Power inlet power connection is the Mains disconnect.



WARNING: To minimize the possibility of bodily injury or equipment damage make certain that the applied AC voltage matches the voltage listed on the TM5 rating tag.

1.2.7. Power Output Connections (TB1-TB4)

Each output connector provides a Main Supply output and Control Supply output. The Main Supply output is an AC or DC voltage that is designed to be connected to the main supply of an Aerotech controller. The Main Supply is normally referenced to ground. A fuse in the transformer primary circuit provides short circuit protection for the Main Supply output.

The Control Supply is an AC or DC voltage that is designed to be connected to the Control supply of an Aerotech controller. Offline Control Supply outputs (AC) are protected by the circuit breaker / power switch (10A breaker/switch is for 100/115 and 5A breaker is for 200/230 VAC input) located on the front of the TM5. A fuse in the transformer primary circuit provides short circuit protection for the Control Supply output when the Control Supply voltage is derived from the TM5 transformer.

Table 1-4: Power Output Connections (TB1-4)

Pin	Description	Recommended Wire Size	Connector
1	AC output	2.0 mm ² (#14 AWG) rated @ 300V	
2	AC output		
3	Protective Ground (required for safety)		
4	AC output	1.3 mm ² (#16 AWG) rated @ 300V	
5	AC output		
6	Protective Ground (required for safety)		

Table 1-5: Power Output Mating Connector

Type	Aerotech P/N	Phoenix P/N	Screw Torque Value: Nm	Wire Size: AWG [mm ²]
6-Pin Terminal Block	ECK01410	1828281	0.5 - 0.6	10-30 [5.27 - 0.0516]

1.2.8. Optional +24VDC Output

The TM5 transformer module can be purchased with the +24 VDC option. The +24 VDC option provides a 24 VDC output with a maximum current output of 1 amp @ 20° C. The 24 VDC output is accessible at the 2-pin terminal block connector. The negative side of the 24 V supply is connected to chassis (ground).

Table 1-6: +24 VDC Output Connections


Pin	Label	Description	Recommended Wire Size	Connector
1	+	+24 VDC Output	0.3 mm ² (#22 AWG) rated @ 300 V	
2	-	- Side of supply (connected to chassis, ground)		

Table 1-7: +24 VDC Output Mating Connector

Type	Aerotech P/N	Phoenix P/N	Screw Torque Value: Nm	Wire Size: AWG [mm ²]
2-Pin Terminal Block	ECK01110	1754449	0.5 - 0.6	12-30 [3.3 - 0.0516]

1.3. Operation

When power is applied to the TM5 transformer box and the power switch is in the ON position the Green power switch will be illuminated. The power switch can also be left on and the power to the TM5 transformer module can be turned ON and OFF remotely.



WARNING: The AC Power inlet power connection is the Mains disconnect.



WARNING: To minimize the possibility of bodily injury or equipment damage make certain that the applied AC voltage matches the voltage listed on the TM5 rating tag.



DANGER: To minimize the possibility of electrical shock and bodily injury or death, disconnect all electrical power prior to making any electrical connections.

1.4. Maintenance

This section covers troubleshooting, fuse replacement, preventative maintenance, and cleaning the TM5.



DANGER: Before performing any tests, be aware of lethal voltages inside the controller and at the input and output power connections. A qualified service technician or electrician should perform these tests.



WARNING: No user serviceable parts inside.



DANGER: Disconnect power to the TM5 main supply before servicing.



DANGER: Risk of electric shock.

1.4.1. Troubleshooting

Table 1-8 lists some common symptoms, causes and solutions for troubleshooting the TM5.

Table 1-8: Symptoms, Causes, and Solutions

Symptom	Possible Cause and Solution
No output power	<ul style="list-style-type: none"> • Verify Power Switch is ON & illuminated. • Verify AC Mains is connected to TM5 inlet. • Verify AC power to TM5. • If power switch is illuminated check F1 inside TM5.
Power switch will not stay on	Overload or short on output, especially Control Supply outputs (Remove all output cables). Locate short and correct problem.
Output turns off after TM5 is on a while	<ul style="list-style-type: none"> • Transformer inside TM5 is getting too hot (requires cooling, exceeding power rating of transformer), verify that Main Supply outputs are not overloaded. • Verify that TM5 is configured for the AC line voltage supplied to it.
F1 opens	<ul style="list-style-type: none"> • Verify Fuse is correct value and type. • Check for short or overload on outputs.
There is no +24 Volt output	Verify that +24V supply is not overloaded or shorted (check by disconnecting +24V connector).

1.4.2. Fuse Replacement

The TM5 transformer Module contains one user replaceable fuse (F1) located on the primary circuit of the TM5 transformer and function to protect the transformer against shorts and severe overloads on the transformer output (Main Supply outputs). This fuse must be a Slow Blow fuse in order to handle the high inrush currents when the TM5 is turned on. The current rating of the fuse is determined by the TM5 configuration. Table 1-9 lists fuse replacement information for the TM5.

Table 1-9: TM5 Fuse Replacement Part Numbers

Fuse	TM5 Configuration	Third Party P/N	Aerotech P/N	Size
F1	100VAC (-C) 115 VAC (-A)	Bussmann PN: MDA8	EIF00122	8 A. S. B. (3AG)
	200 VAC (-D) 230 VAC (-B)	Littelfuse PN: 313004	EIF00104	4 A. S. B. (3AG)

1.4.3. Preventative Maintenance

The TM5 and external wiring should be inspected monthly. Inspections may be required at more frequent intervals, depending on the environment and use of the system.



DANGER: Always disconnect the Mains power connection before opening the TM5 chassis.



DANGER: Risk of electric shock.



DANGER: To minimize the possibility of electrical shock and bodily injury or death, disconnect all electrical power prior to making any electrical connections.



WARNING: Disconnect electrical power to the motor before performing maintenance procedures. In addition, uncouple or otherwise prevent motor-coupled machinery from moving the motor during service.

NOTE: Do not use the TM5 (all Aerotech equipment) in a manner not specified by Aerotech, Inc.

Table 1-10: Preventative Maintenance

Check	Action to be Taken
Visually Check chassis for loose or damaged parts / hardware. Note: Internal inspection is not required.	Parts should be repaired as required. If internal damage is suspected, these parts should be checked and repairs made if necessary.
Inspect cooling vents.	Remove any accumulated material from vents.
Check for fluids or electrically conductive material exposure.	Any fluids or electrically conductive material must not be permitted to enter the TM5.
Visually inspect all cables and connections.	Tighten or re-secure any loose connections. Replace worn or frayed cables. Replace broken connectors.

Cleaning

The TM5 chassis can be wiped with a clean, dry, soft cloth. The cloth may be slightly moistened if required with water or isopropyl alcohol to aid in cleaning if necessary. In this case, be careful not to allow moisture to enter the TM5 or onto exposed connectors / components. Fluids and sprays are not recommended because of the chance for internal contamination, which may result in electrical shorts and/or corrosion. The electrical power must be disconnected from the TM5 while cleaning. Do not allow cleaning substances or other fluids to enter the TM5 or to get on to any of the connectors. Avoid cleaning labels to prevent removing the label information.

Appendix A: Warranty and Field Service

Aerotech, Inc. warrants its products to be free from harmful defects caused by faulty materials or poor workmanship for a minimum period of one year from date of shipment from Aerotech. Aerotech's liability is limited to replacing, repairing or issuing credit, at its option, for any products that are returned by the original purchaser during the warranty period. Aerotech makes no warranty that its products are fit for the use or purpose to which they may be put by the buyer, whether or not such use or purpose has been disclosed to Aerotech in specifications or drawings previously or subsequently provided, or whether or not Aerotech's products are specifically designed and/or manufactured for buyer's use or purpose. Aerotech's liability on any claim for loss or damage arising out of the sale, resale, or use of any of its products shall in no event exceed the selling price of the unit.

THE EXPRESS WARRANTY SET FORTH HEREIN IS IN LIEU OF AND EXCLUDES ALL OTHER WARRANTIES, EXPRESSED OR IMPLIED, BY OPERATION OF LAW OR OTHERWISE. IN NO EVENT SHALL AEROTECH BE LIABLE FOR CONSEQUENTIAL OR SPECIAL DAMAGES.

Return Products Procedure

Claims for shipment damage (evident or concealed) must be filed with the carrier by the buyer. Aerotech must be notified within thirty (30) days of shipment of incorrect material. No product may be returned, whether in warranty or out of warranty, without first obtaining approval from Aerotech. No credit will be given nor repairs made for products returned without such approval. A "Return Materials Authorization (RMA)" number must accompany any returned product(s). The RMA number may be obtained by calling an Aerotech service center or by submitting the appropriate request available on our website (www.aerotech.com). Products must be returned, prepaid, to an Aerotech service center (no C.O.D. or Collect Freight accepted). The status of any product returned later than thirty (30) days after the issuance of a return authorization number will be subject to review.

Visit <http://www.aerotech.com/service-and-support.aspx> for the location of your nearest Aerotech Service center.

Returned Product Warranty Determination

After Aerotech's examination, warranty or out-of-warranty status will be determined. If upon Aerotech's examination a warranted defect exists, then the product(s) will be repaired at no charge and shipped, prepaid, back to the buyer. If the buyer desires an expedited method of return, the product(s) will be shipped collect. Warranty repairs do not extend the original warranty period.

Fixed Fee Repairs - Products having fixed-fee pricing will require a valid purchase order or credit card particulars before any service work can begin.

All Other Repairs - After Aerotech's evaluation, the buyer shall be notified of the repair cost. At such time the buyer must issue a valid purchase order to cover the cost of the repair and freight, or authorize the product(s) to be shipped back as is, at the buyer's expense. Failure to obtain a purchase order number or approval within thirty (30) days of notification will result in the product(s) being returned as is, at the buyer's expense.

Repair work is warranted for ninety (90) days from date of shipment. Replacement components are warranted for one year from date of shipment.

Rush Service

At times, the buyer may desire to expedite a repair. Regardless of warranty or out-of-warranty status, the buyer must issue a valid purchase order to cover the added rush service cost. Rush service is subject to Aerotech's approval.

On-site Warranty Repair

If an Aerotech product cannot be made functional by telephone assistance or by sending and having the customer install replacement parts, and cannot be returned to the Aerotech service center for repair, and if Aerotech determines the problem could be warranty-related, then the following policy applies:

Aerotech will provide an on-site Field Service Representative in a reasonable amount of time, provided that the customer issues a valid purchase order to Aerotech covering all transportation and subsistence costs. For warranty field repairs, the customer will not be charged for the cost of labor and material. If service is rendered at times other than normal work periods, then special rates apply.

If during the on-site repair it is determined the problem is not warranty related, then the terms and conditions stated in the following "On-Site Non-Warranty Repair" section apply.

On-site Non-Warranty Repair

If any Aerotech product cannot be made functional by telephone assistance or purchased replacement parts, and cannot be returned to the Aerotech service center for repair, then the following field service policy applies:

Aerotech will provide an on-site Field Service Representative in a reasonable amount of time, provided that the customer issues a valid purchase order to Aerotech covering all transportation and subsistence costs and the prevailing labor cost, including travel time, necessary to complete the repair.

Service Locations

<http://www.aerotech.com/contact-sales.aspx?mapState=showMap>

USA, CANADA, MEXICO	CHINA	GERMANY
Aerotech, Inc. Global Headquarters Phone: +1-412-967-6440 Fax: +1-412-967-6870	Aerotech China Full-Service Subsidiary Phone: +86 (21) 3319 7715	Aerotech Germany Full-Service Subsidiary Phone: +49 (0)911 967 9370 Fax: +49 (0)911 967 93720
JAPAN	TAIWAN	UNITED KINGDOM
Aerotech Japan Full-Service Subsidiary Phone: +81 (0)43 467 2249 Fax: +81 (0)43 306 3773	Aerotech Taiwan Full-Service Subsidiary Phone: +886 (0)2 8751 6690	Aerotech United Kingdom Full-Service Subsidiary Phone: +44 (0)1256 855055 Fax: +44 (0)1256 855649

Appendix B: Revision History

Revision	Date	Description
2.01.00	April 7, 2015	<ul style="list-style-type: none"> Updated Danger/Warning notes Added TUV certification information: Agency Approvals Added RoHS statement: Section . Added wiring screw torque specification: Section 1.2.7., Section 1.2.8. Updated voltage specifications: Section 1.1., Table 1-1, Section 1.4.2.
2.00.00	November 10, 2011	Added supported wire gauges for quick connect terminal blocks: Section 1.2.7. , Section 1.2.8.
1.02.00	April 16, 2010	<ul style="list-style-type: none"> Center tap option for CL drives added: Table 1-1, Figure 1-5 Interconnection section updated and expanded: Section 1.2.5. Cable types updated (-AM, -ML, -AL added; -B deleted): Table 1-1
1.01.00	December 5, 2005	New Manual

Index

	2		
2006/95/EC		vii	
	A		
AC Power Input		2	
Axis Split		2	
	B		
Bus Voltage 1 & 2		2	
	C		
Cable Type		2	
Check chassis for loose or damaged parts / hardware		15	
Check for fluids or electrically conductive material exposure		15	
CL		9	
Cleaning		15	
Control & Main Supply Cables		2	
CP		8	
	E		
EN 61010-1		vii	
	H		
Handling and Transportation		4	
HPe		7	
	I		
inspect all cables and connections		15	
Inspect cooling vents		15	
Inspection		15	
Installation		4	
Installation and Mounting		4	
	L		
Line Cord Options		2	
	M		
Mechanical Specifications		4	
			O
			Optional Brake Cable
			2
			Optional Power Supply
			2
			S
			Standard Cable Lengths
			2
			System Interconnection
			7

